



Hybrid Inverter

SUN-5K-SG02LP1-AU-AM2

SUN-6K-SG02LP1-AU-AM2

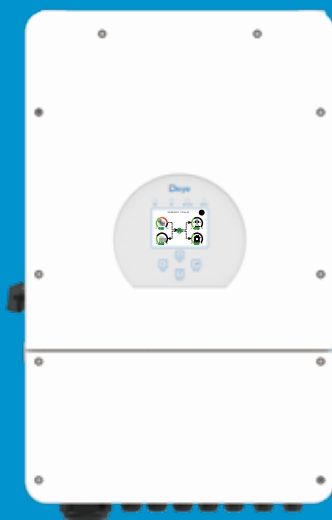
SUN-7.6K-SG02LP1-AU-AM2

SUN-8K-SG02LP1-AU-AM2

SUN-10K-SG02LP1-AU-AM3

SUN-12K-SG02LP1-AU-AM3

User Manual



Contents

| | |
|--|-------|
| 1. Safety Introductions | 01-02 |
| 2. Product instructions | 02-05 |
| 2.1 Product Overview | |
| 2.2 Product Size | |
| 2.3 Product Features | |
| 2.4 Basic System Architecture | |
| 2.5 Maintenance of the System | |
| 3. Installation | 06-26 |
| 3.1 Parts list | |
| 3.2 Product handling requirements | |
| 3.3 Mounting instructions | |
| 3.4 Battery connection | |
| 3.5 Grid connection and backup load connection | |
| 3.6 PV Connection | |
| 3.7 CT Connection | |
| 3.7.1 Meter Connection | |
| 3.8 Earth Connection(mandatory) | |
| 3.9 WIFI Connection | |
| 3.10 Communication Connection | |
| 3.11 Wiring System for Inverter | |
| 3.12 Typical application diagram of diesel generator | |
| 4. OPERATION | 27 |
| 4.1 Power ON/OFF | |
| 4.2 Operation and Display Panel | |
| 5. LCD Display Icons | 28-40 |
| 5.1 Main Screen | |
| 5.2 Solar Power Curve | |
| 5.3 Curve Page-Solar & Load & Grid | |
| 5.4 System Setup Menu | |
| 5.5 Basic Setup Menu | |
| 5.6 Battery Setup Menu | |
| 5.7 System Work Mode Setup Menu | |
| 5.8 Grid Setup Menu | |
| 5.9 Generator Port Use Setup Menu | |
| 5.10 Advanced Function Setup Menu | |
| 5.11 Device Info Setup Menu | |
| 6. Mode | 40-42 |
| 7. Fault information and processing | 42-45 |
| 8. Limitation of Liability | 45 |
| 9. Datasheet | 46-47 |
| 10. Package and transport inverter | 43 |
| 11. Disposing of the inverter | 43 |
| 12. Appendix I | 48-50 |
| 13. Appendix II | 51 |

About This Manual

The manual mainly describes the product information, guidelines for installation, operation and maintenance. The manual cannot include complete information about the photovoltaic (PV) system.









How to Use This Manual

Read the manual and other related documents before performing any operation on the inverter. Documents must be stored carefully and be available at all times.

Contents may be periodically updated or revised due to product development. The information in this manual is subject to change without notice. The latest manual can be acquired via service@deye.com.cn

1. Safety Introductions

Labels description

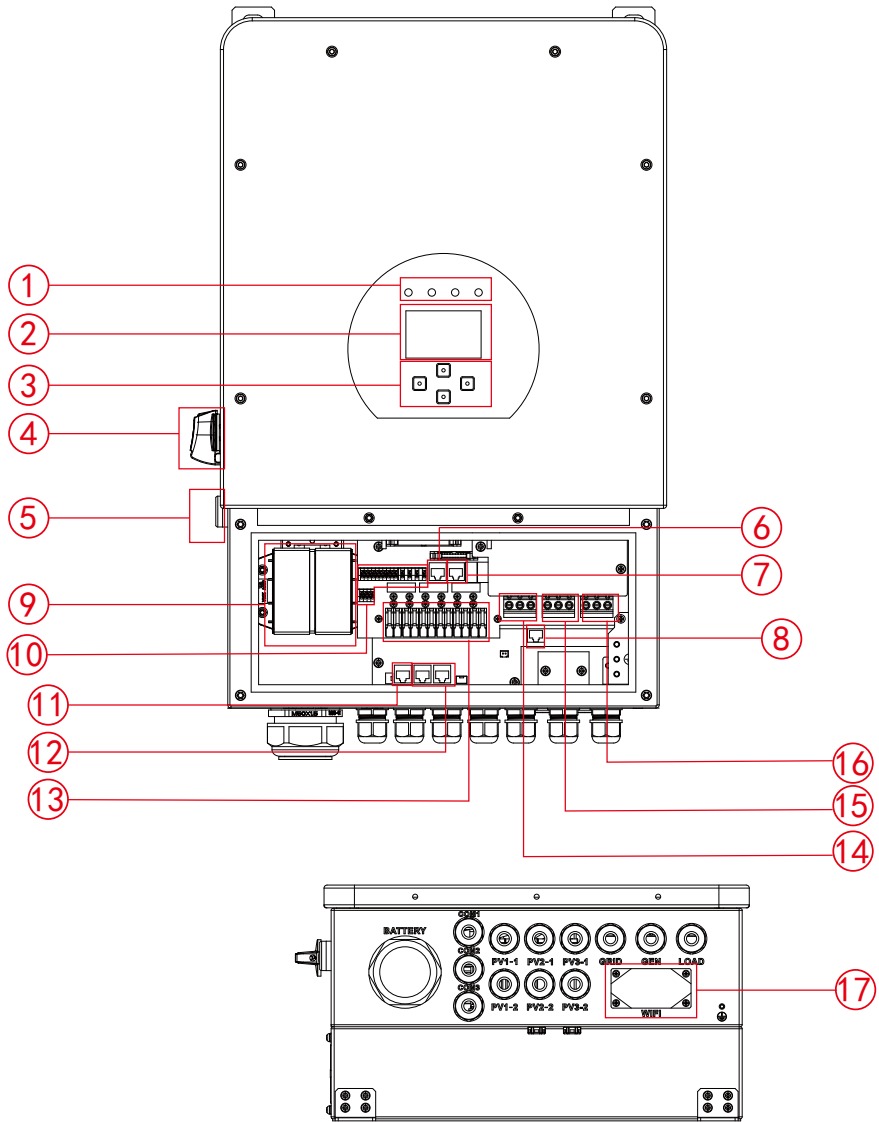
| Label | Description |
|---|---|
|  | Caution, risk of electric shock symbol indicates important safety instructions, which if not correctly followed, could result in electric shock. |
|  | The DC input terminals of the inverter must not be grounded. |
|  | Surface high temperature, Please do not touch the inverter case. |
|  | The AC and DC circuits must be disconnected separately, and the maintenance personnel must wait for 5 minutes before they are completely powered off before they can start working. |
|  | CE mark of conformity |
|  | RCM mark of conformity |
|  | Please read the instructions carefully before use. |
|  | Symbol for the marking of electrical and electronics devices according to Directive 2002/96/EC. Indicates that the device, accessories and the packaging must not be disposed as unsorted municipal waste and must be collected separately at the end of the usage. Please follow Local Ordinances or Regulations for disposal or contact an authorized representative of the manufacturer for information concerning the decommissioning of equipment. |

-
- This chapter contains important safety and operating instructions. Read and keep this manual for future reference.
 - Before using the inverter, please read the instructions and warning signs of the battery and corresponding sections in the instruction manual.
 - Do not disassemble the inverter. If you need maintenance or repair, take it to a professional service center.
 - Improper reassembly may result in electric shock or fire.
 - To reduce risk of electric shock, disconnect all wires before attempting any maintenance or cleaning. Turning off the unit will not reduce this risk.
 - Caution: Only qualified personnel can install this device with battery.
 - Never charge a frozen battery.
 - For optimum operation of this inverter, please follow required specification to select appropriate cable size. It is very important to correctly operate this inverter.
 - Be very cautious when working with metal tools on or around batteries. Dropping a tool may cause a spark or short circuit in batteries or other electrical parts, even cause an explosion.
 - Please strictly follow installation procedure when you want to disconnect AC or DC terminals. Please refer to "Installation" section of this manual for the details.
 - Grounding instructions - this inverter should be connected to a permanent grounded wiring system. Be sure to comply with local requirements and regulation to install this inverter.
 - Never cause AC output and DC input short circuited. Do not connect to the mains when DC input short circuits.

2. Product Introductions

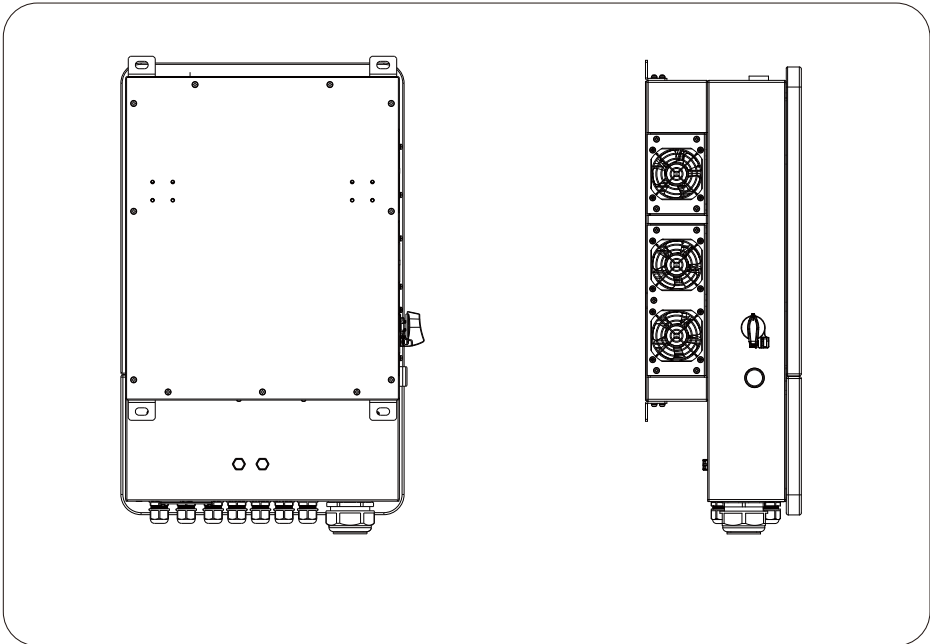
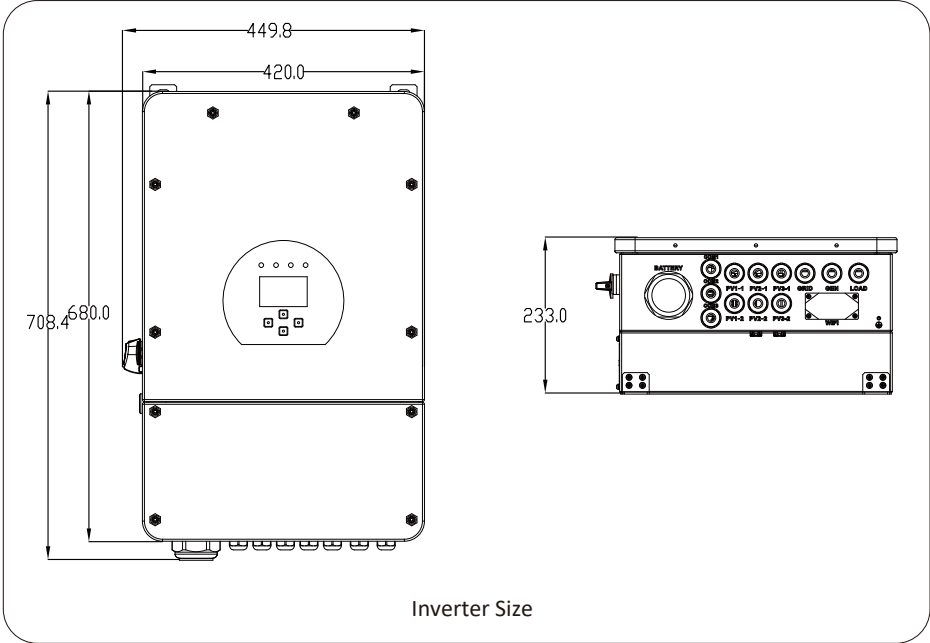
This is a multifunctional inverter, combining functions of inverter, solar charger and battery charger to offer uninterruptible power support with portable size. Its comprehensive LCD display offers user configurable and easy accessible button operation such as battery charging, AC/solar charging, and acceptable input voltage based on different applications.

2.1 Product Overview



- | | | |
|------------------------|-----------------------------|---------------------|
| 1: Inverter Indicators | 7: RS485 Port | 13: PV input |
| 2: LCD display | 8: DRMs Port | 14: Grid |
| 3: Function Buttons | 9: Battery input connectors | 15: Generator input |
| 4: DC Switch | 10: Function Port | 16: Load |
| 5: Power on/off button | 11: Meter port | 17: WiFi Interface |
| 6: BMS port | 12: Parallel port | |

2.2 Product Size



2.3 Product Features

- Self-consumption and feed-in to the grid.
- Auto restart while AC is recovering.
- Programmable supply priority for battery or grid.
- Programmable multiple operation modes: On grid, off grid and UPS.
- Configurable battery charging current/voltage based on applications by LCD setting.
- Configurable AC/Solar/Generator Charger priority by LCD setting.
- Compatible with mains voltage or generator power.
- Overload/over temperature/short circuit protection.
- Smart battery charger design for optimized battery performance
- With limit function, prevent excess power overflow to the grid.
- Supporting WIFI monitoring and build-in 2 strings of MPP trackers
- Smart settable three stages MPPT charging for optimized battery performance.
- Time of use function.
- Smart Load Function.

2.4 Basic System Architecture

The following illustration shows basic application of this inverter. It also includes following devices to have a Complete running system.

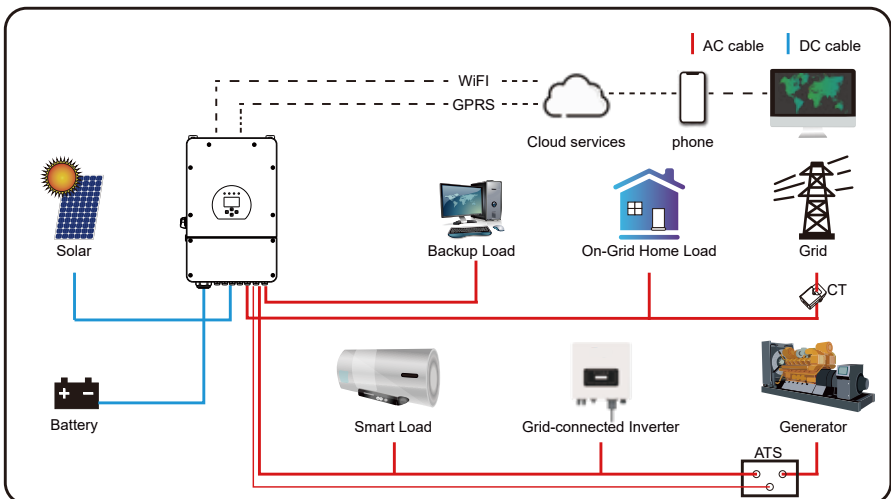
- Generator or Utility
- PV modules

Consult with your system integrator for other possible system architectures depending on your requirements.

This inverter can power all kinds of appliances in home or office environment, including motor type appliances such as refrigerator and air conditioner.

2.5 Maintenance of the System

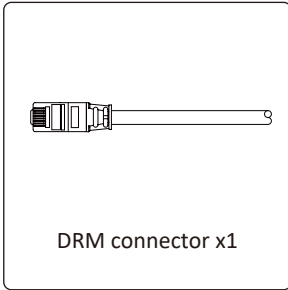
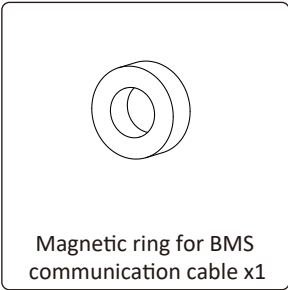
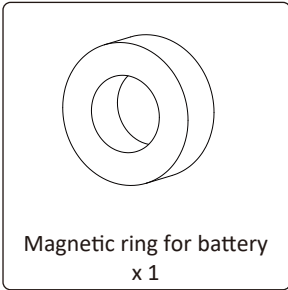
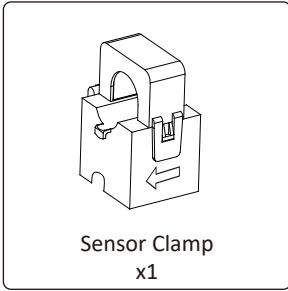
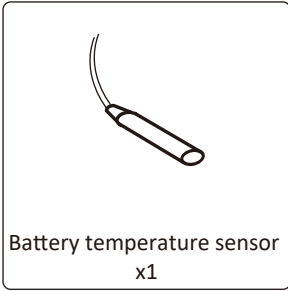
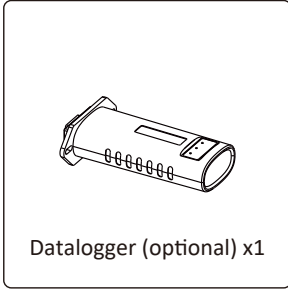
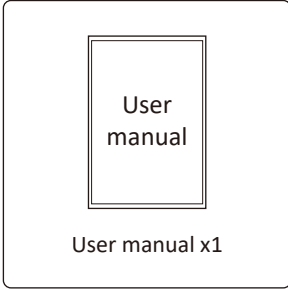
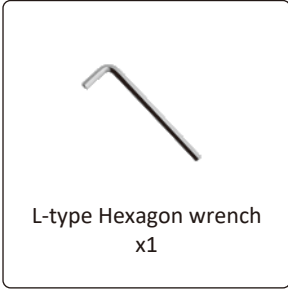
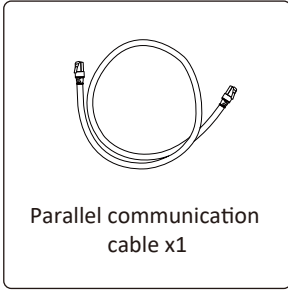
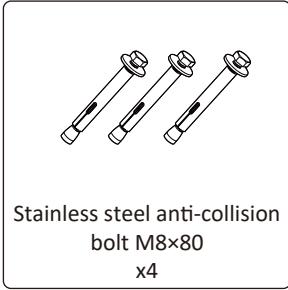
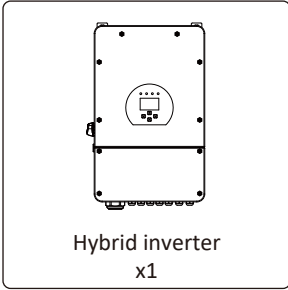
The inverter is low maintenance, however, it is important that at least twice a year (for dusty environments this may need to be carried out weekly) all the cooling fans, air ducts are cleaned and dust free. Check if there are no fault codes and Lithium battery communication is correct. Weekly cleaning statement: Suggest micromesh filters as an available option.



3. Installation

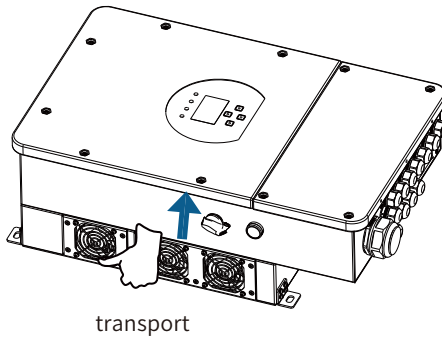
3.1 Parts List

Check the equipment before installation. Please make sure nothing is damaged in the package. You should have received the items in the following package:



3.2 Product handling requirements

Lift the inverter out of the packing box and transport it to designated installation location.



CAUTION:

Improper handling may cause personal injury!

- Arrange an appropriate number of personnel to carry the inverter according to its weight, and installation personnel should wear protective equipment such as anti-impact shoes and gloves.
- Placing the inverter directly on a hard ground may cause damage to its metal enclosure. Protective materials such as sponge pad or foam cushion should be placed underneath the inverter.
- Move the inverter by one or two people or by using a proper transport tool.
- Move the inverter by holding the handles on it. Do not move the inverter by holding the terminals.

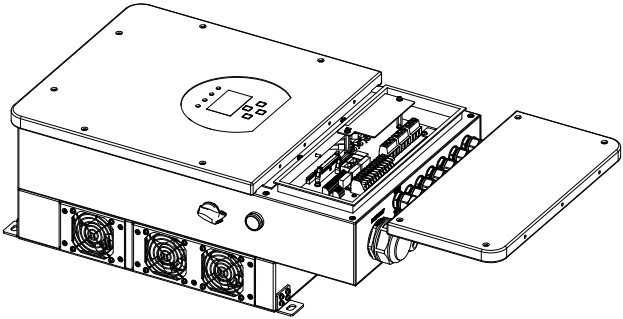
3.3 Mounting instructions

Installation Precaution

This Hybrid inverter is designed for outdoor use(IP65), Please make sure the installation site meets below conditions:








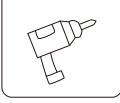
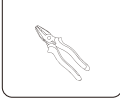


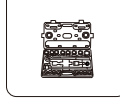
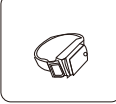
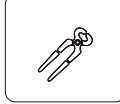

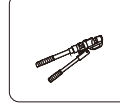





- Not in direct sunlight
- Not in areas where highly flammable materials are stored.
- Not in potential explosive areas.
- Not in the cool air directly.
- Not near the television Antenna or antenna cable.
- Not higher than altitude of about 2000 meters above sea level.
- Not in environment of precipitation or humidity(>95%)

Please AVOID direct sunlight, rain exposure, snow laying up during installation and operation. Before connecting all wires, please take off the metal cover by removing screws as shown below:



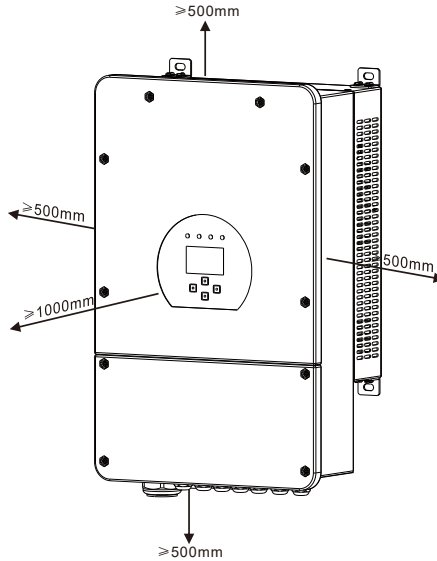
Installations Tools

Installation tools can refer to the following recommended ones. Also, use other auxiliary tools on site.

- | | | | | | | |
|--|---|---|---|---|---|---|
|  |  |  |  |  |  |  |
| Protective goggles | Anti-dust mask | Earplugs | Work gloves | Work shoes | Utility Knife | Slotted screwdriver |
|  |  |  |  |  |  |  |
| Cross screwdriver | Percussion drill | Pliers | Marker | Level | Rubber hammer | socket wrenches set |
|  |  |  |  |  |  |  |
| Anti-static wrist strap | Wire cutter | Wire stripper | Hydraulic pliers | Heat gun | Crimping tool4-6mm ² | Solar connector wrench |
|  |  |  | | | | |
| Multimeter ≥1100 Vdc | RJ45 crimping plier | Cleaner | | | | |

Considering the following points before selecting where to install:

- Please select a vertical wall with load-bearing capacity for installation, suitable for installation on concrete or other non-flammable surfaces, installation is shown below.
- Install this inverter at eye level in order to allow the LCD display to be read at all times.
- The ambient temperature is recommended to be between $-40\sim 60\text{ }^{\circ}\text{C}$ to ensure optimal operation.
- Be sure to keep other objects and surfaces as shown in the diagram to guarantee sufficient heat dissipation and have enough space for removing wires.

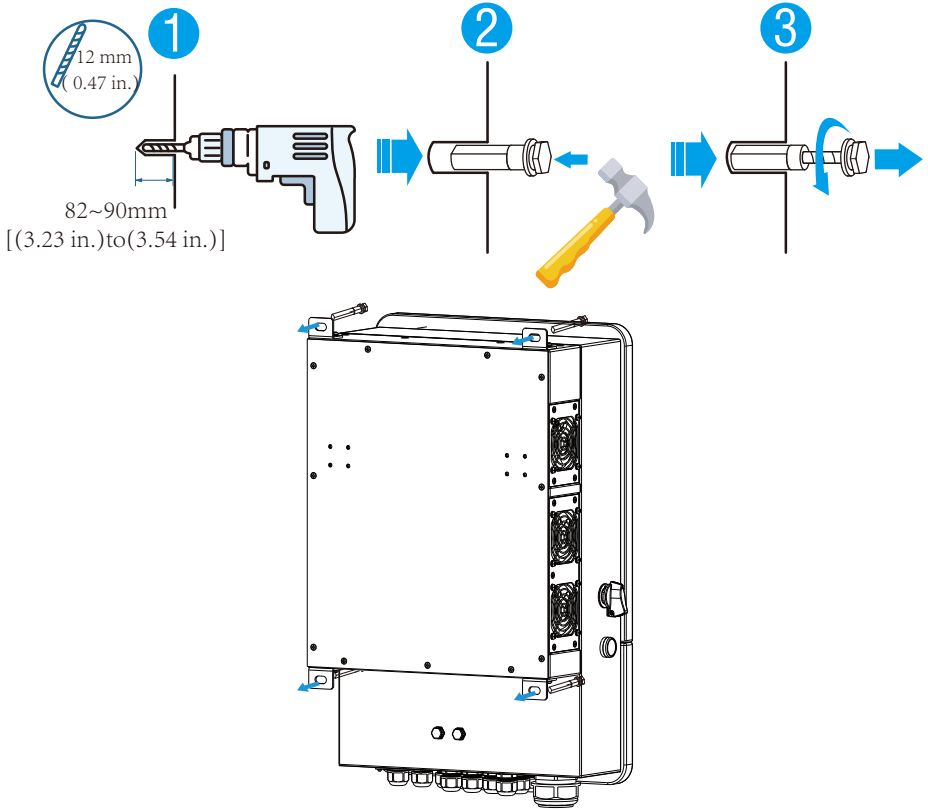


For proper air circulation to dissipate heat, allow a clearance of approx. 50cm to the side and approx. 50cm above and below the unit. And 100cm to the front.

Mounting the inverter

Remember that this inverter is heavy! Please be careful when lifting out from the package. Choose the recommend drill head(as shown in below pic) to drill 4 holes on the wall, 82-90mm deep.

1. Use a proper hammer to fit the expansion bolt into the holes.
2. Carry the inverter and holding it, make sure the hanger aim at the expansion bolt,fix the inverter on the wall.
3. Fasten the screw head of the expansion bolt to finish the mounting.



3.4 Battery connection

For safe operation and compliance, a separate DC over-current protector or disconnect device is required between the battery and the inverter. In some applications, switching devices may not be required but over-current protectors are still required. Refer to the typical amperage in the table below for the required fuse or circuit breaker size.

| <i>Model</i> | <i>Wire Size</i> | <i>Cable(mm²)</i> | <i>Torque value(max)</i> |
|-------------------|------------------|------------------------------|--------------------------|
| 5/6/7.6/8/10/12kW | 1AWG | 35 | 24.5Nm |

Chart 3-2 Cable size



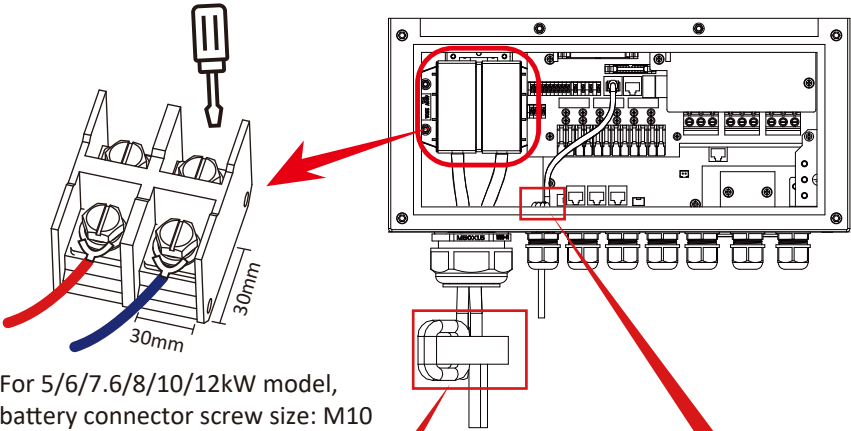
All wiring must be performed by a professional person.



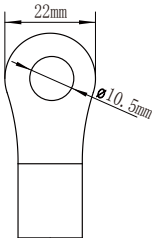
Connecting the battery with a suitable cable is important for safe and efficient operation of the system. To reduce the risk of injury, refer to Chart 3-2 for recommended cables.

Please follow below steps to implement battery connection:

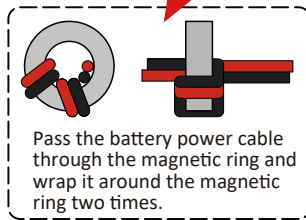
1. Please choose a suitable battery cable with correct connector which can well fit into the battery terminals.
2. Use a suitable screwdriver to unscrew the bolts and fit the battery connectors in, then fasten the bolt by the screwdriver, make sure the bolts are tightened with torque of 24.5 N.M in clockwise direction
3. Make sure polarity at both the battery and inverter is correctly connected.



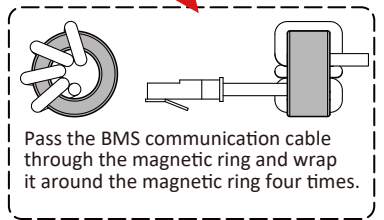
For 5/6/7.6/8/10/12kW model,
battery connector screw size: M10



DC Battery Input



Pass the battery power cable through the magnetic ring and wrap it around the magnetic ring two times.



Pass the BMS communication cable through the magnetic ring and wrap it around the magnetic ring four times.

4. In case of children touch or insects go into the inverter, Please make sure the inverter connector is fasten to waterproof position by twist it clockwise.

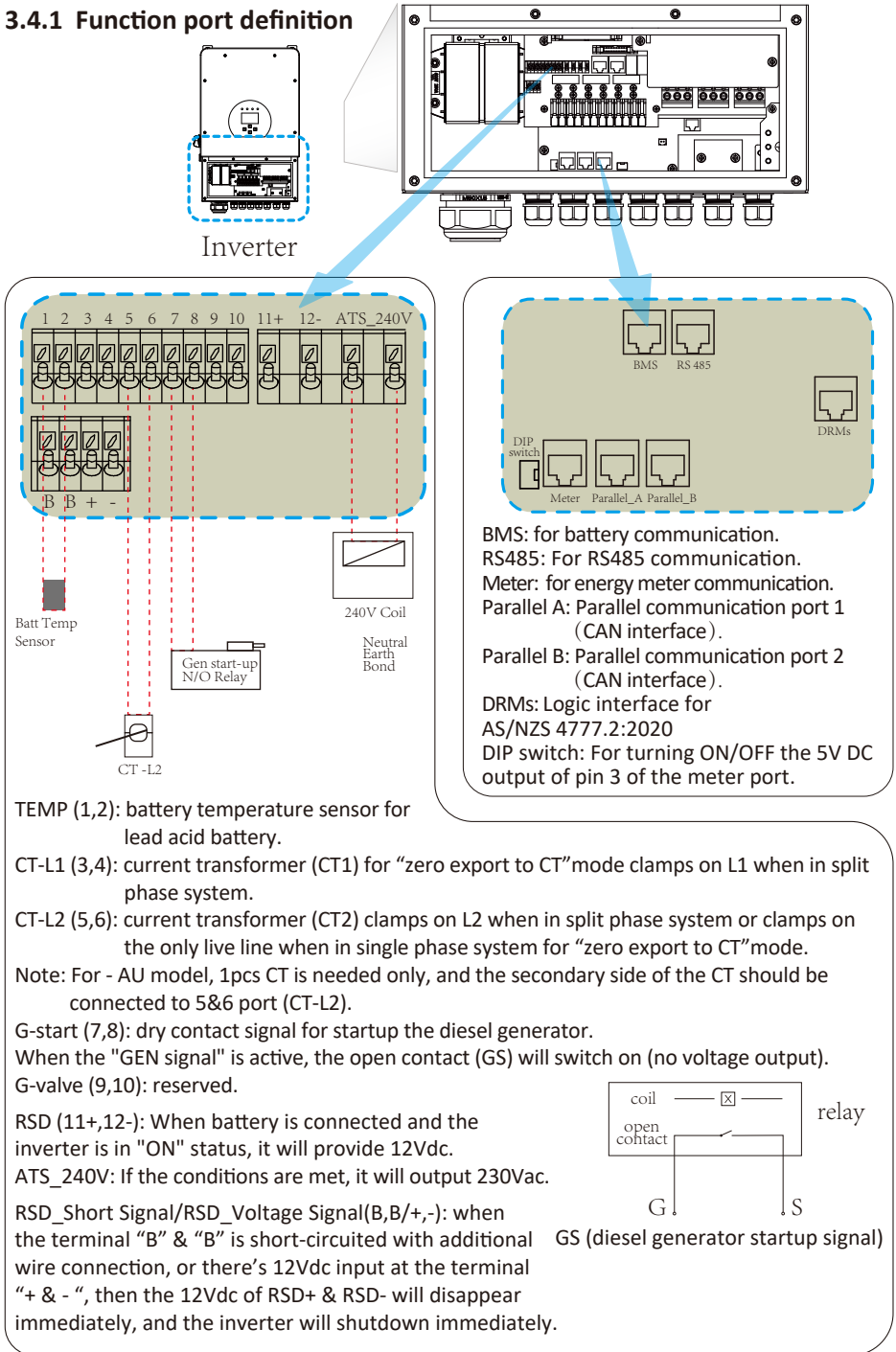


Installation must be performed with care.

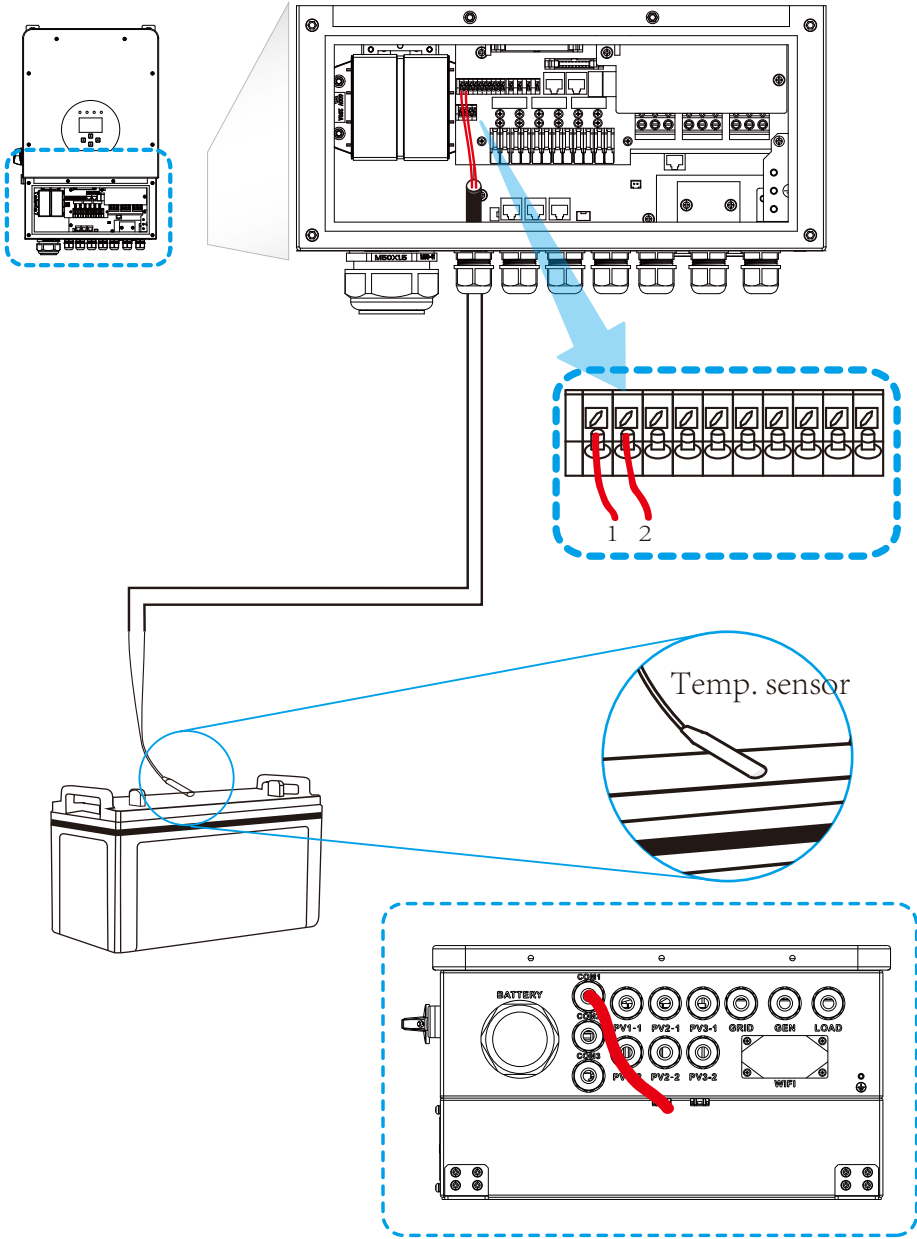


Before making the final DC connection or closing DC breaker/disconnect, be sure positive(+) must be connect to positive(+) and negative(-) must be connected to negative(-). Reverse polarity connection on battery will damage the inverter.

3.4.1 Function port definition



3.4.2 Temperature sensor connection for lead-acid battery



3.5 Grid connection and backup load connection

- Before connecting to the grid, a separate AC breaker must be installed between the inverter and the grid, and also between the backup load and the inverter. This will ensure the inverter can be securely disconnected during maintenance and fully protected from over current. For the 5/6/7.6/8/10/12kW model, the recommended AC breaker for backup load 5/6kW is 40A, 7.6/8kW is 63A, 10/12kW is 100A. For the 5/6/7.6/8/10/12kW model, the recommended AC breaker for grid 5/6kW is 40A, 7.6/8kW is 63A, 10/12kW is 100A. In final installation, breaker certified according to AS60947.3 shall be installed with the equipment.
- There are three terminal blocks with "Grid" "Load" and "GEN" markings. Please do not misconnect input and output connectors.



All wiring must be performed by a qualified personnel. It is very important for system safety and efficient operation to use appropriate cable for AC input connection. To reduce risk of injury, please use the proper recommended cable as below.

Grid connection and backup load connection (Copper wires)

| <i>Model</i> | <i>Wire Size</i> | <i>Cable(mm²)</i> | <i>Torque value(max)</i> |
|---------------|------------------|------------------------------|--------------------------|
| 5/6kW | 8AWG | 6.0 | 1.2Nm |
| 7.6/8/10/12kW | 6AWG | 10 | 1.2Nm |

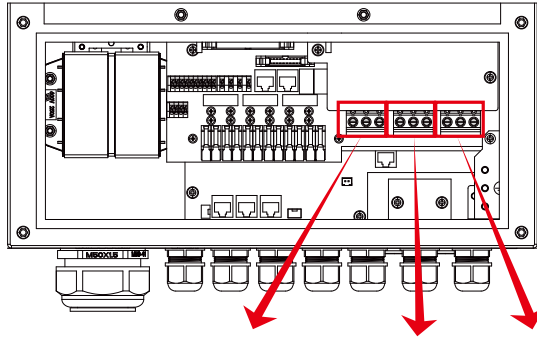
Grid connection and backup load connection (Copper wires) (bypass)

| <i>Model</i> | <i>Wire Size</i> | <i>Cable(mm²)</i> | <i>Torque value(max)</i> |
|---------------|------------------|------------------------------|--------------------------|
| 5/6kW | 8AWG | 6.0 | 1.2Nm |
| 7.6/8/10/12kW | 6AWG | 10 | 1.2Nm |

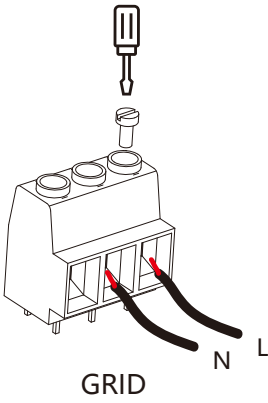
Chart 3-3 Recommended Size for AC wires

Please follow below steps to implement AC input/output connection:

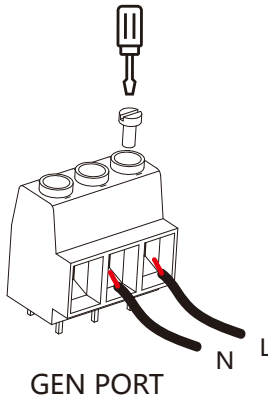
1. Before making Grid, load and Gen port connection, be sure to turn off AC breaker or disconnecter first.
2. Remove insulation sleeve 10mm length, unscrew the bolts, insert the wires according to polarities indicated on the terminal block and tighten the terminal screws. Make sure the connection is complete.



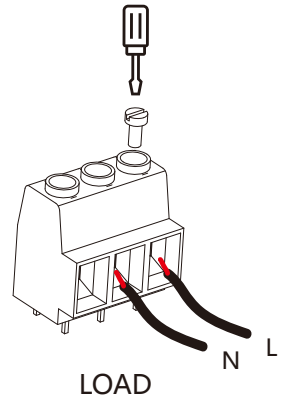
GRID GEN PORT LOAD



GRID



GEN PORT



LOAD



Be sure that AC power source is disconnected before attempting to wire it to the unit.

3. Then, insert AC output wires according to polarities indicated on the terminal block and tighten terminal. Be sure to connect corresponding N wires and PE wires to related terminals as well.
4. Make sure the wires are securely connected.
5. Appliances such as air conditioner are required at least 2-3 minutes to restart because it is required to have enough time to balance refrigerant gas inside of circuit. If a power shortage occurs and recovers in short time, it will cause damage to your connected appliances. To prevent this kind of damage, please check manufacturer of air conditioner if it is equipped with time-delay function before installation. Otherwise, this inverter will trigger overload fault and cut off output to protect your appliance but sometimes it still causes internal damage to the air conditioner

3.6 PV Connection

The PV modules used to connected to this inverter shall be Class A rating certified according to IEC 61730.

Before connecting to PV modules, please install a separately DC circuit breaker between inverter and PV modules. It is very important for system safety and efficient operation to use appropriate cable for PV module connection. To reduce risk of injury, please use the proper recommended cable size as below.

| <i>Model</i> | <i>Wire Size</i> | <i>Cable(mm²)</i> |
|-------------------|------------------|-------------------------------|
| 5/6/7.6/8/10/12kW | 12AWG | 2.5 |

Chart 3-4 Cable size



To avoid any malfunction, do not connect any PV modules with possible current leakage to the inverter. For example, grounded PV modules will cause current leakage to the inverter. When using PV modules, please ensure the PV+ & PV- of solar panel is not connected to the system ground bar.



It is requested to use PV junction box with surge protection. Otherwise, it will cause damage on inverter when lightning occurs on PV modules.

3.6.1 PV Module Selection:

When selecting proper PV modules, please be sure to consider below parameters:

- 1) Open circuit Voltage (Voc) of PV modules not exceeds max. PV array open circuit voltage of inverter.
- 2) Open circuit Voltage (Voc) of PV modules should be higher than min. start voltage.

| <i>Inverter Model</i> | <i>SUN-5K-SG02LP1-AU-AM2</i> | <i>SUN-6K-SG02LP1-AU-AM2</i> | <i>SUN-7.6K-SG02LP1-AU-AM2</i> | <i>SUN-8K-SG02LP1-AU-AM2</i> | <i>SUN-10K-SG02LP1-AU-AM3</i> | <i>SUN-12K-SG02LP1-AU-AM3</i> |
|--------------------------------|------------------------------|------------------------------|--------------------------------|------------------------------|-------------------------------|-------------------------------|
| PV Input Voltage | 370V (125V-500V) | | | | | |
| PV Array MPPT Voltage Range | 150V-425V | | | | | |
| No. of MPP Trackers | 2 | | | 3 | | |
| No. of Strings per MPP Tracker | 2+2 | | | 2+2+2 | | |

Chart 3-5



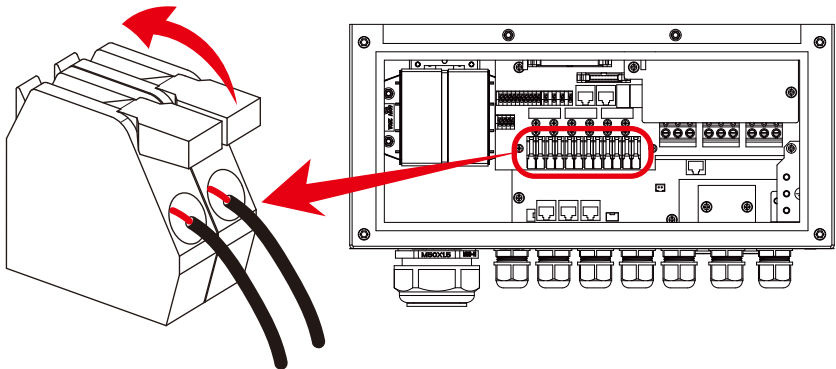
Note:

This inverter complies with IEC 62109-2 clause 13.9 for earth fault alarm monitoring. If an Earth Fault Alarm occurs, the inverter will not connect to the grid and will report an error F04 on its LCD. At the same time, the buzzer will sound. For the machine installed with Wi-Fi/GPRS, the alarm information can be seen on the corresponding monitoring website, and can also be received by the APP on the mobile phone.

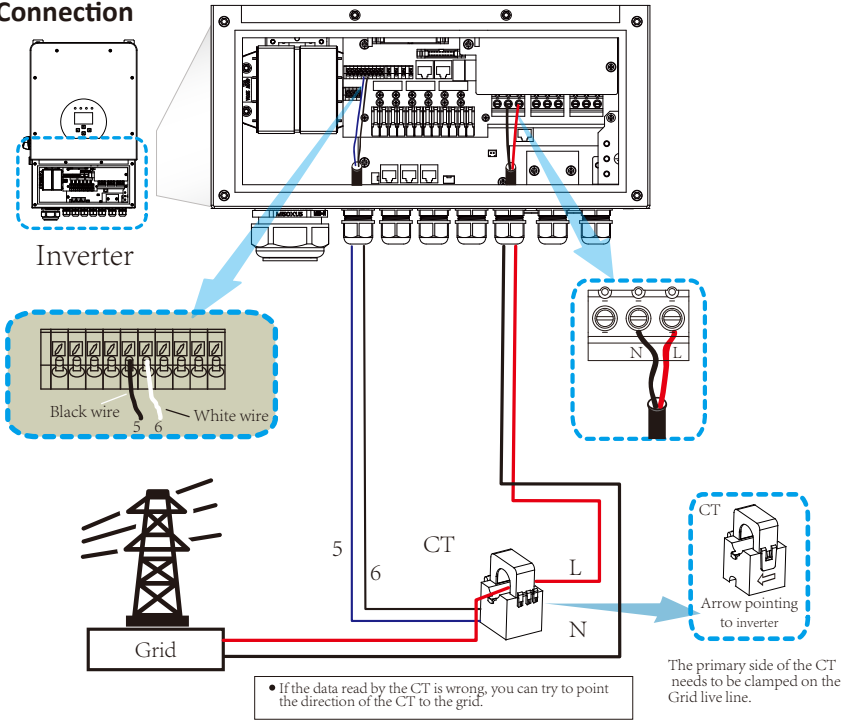
3.6.2 PV Module Wire Connection:

Please follow below steps to implement PV module connection:

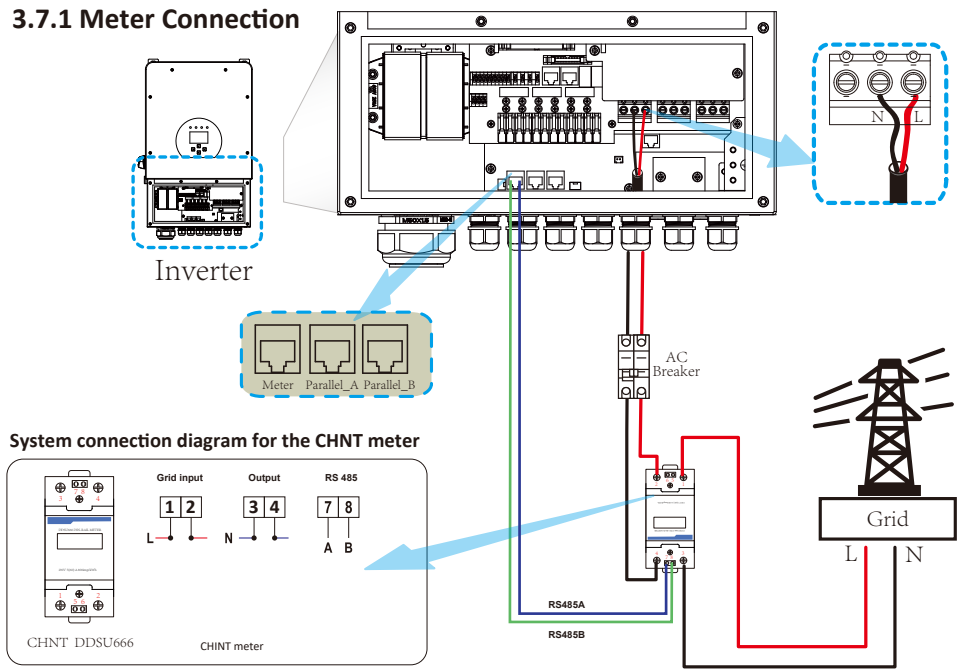
1. Remove insulation sleeve 10 mm for positive and negative conductors.
2. Suggest to put bootlace ferrules on the end of positive and negative wires with a proper crimping tool.
3. Check correct polarity of wire connection from PV modules and PV input connectors. Then, connect positive pole (+) of connection wire to positive pole (+) of PV input connector. Connect negative pole (-) of connection wire to negative pole (-) of PV input connector. Close the switch and make sure the wires are tightly fixed.

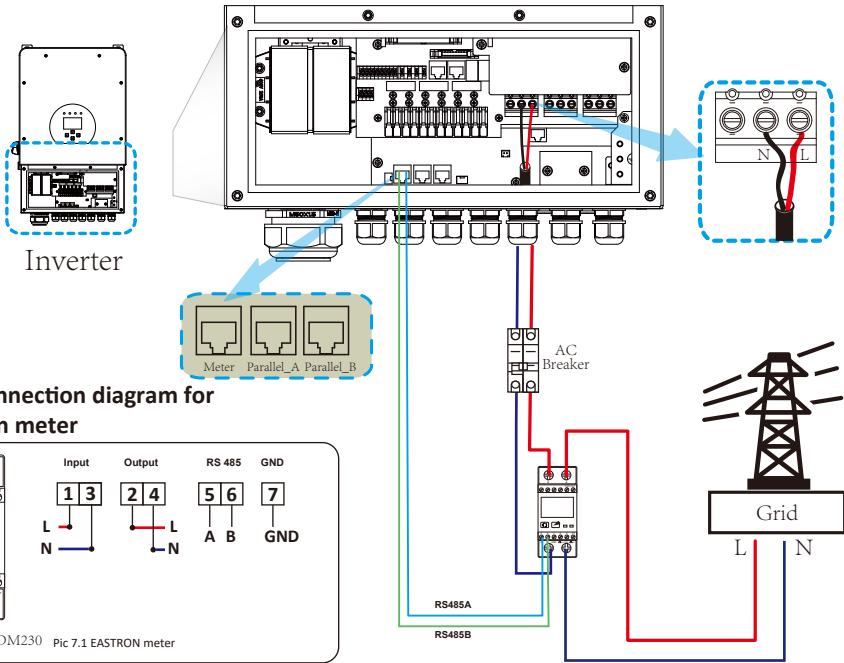


3.7 CT Connection



3.7.1 Meter Connection



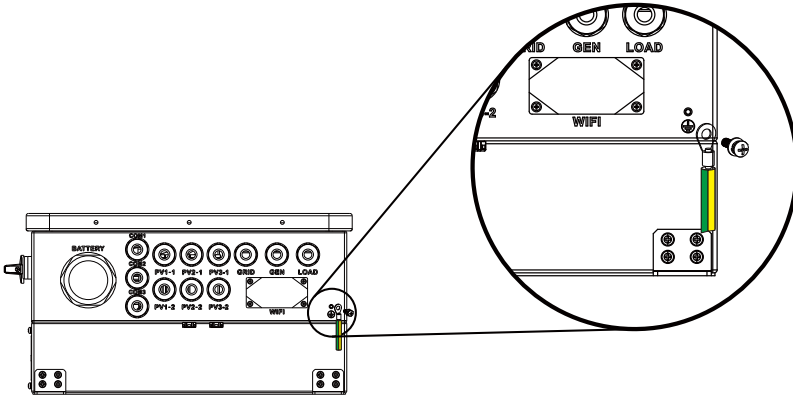


Note:

When the inverter is in the off-grid state, the N line needs to be connected to the earth.

3.8 Earth Connection(mandatory)

Ground cable shall be connected to ground plate on grid side, this prevents electric shock if the original protective conductor fails.



Earth connection (Copper wires)

| Model | Wire Size | Cable(mm ²) | Torque value(max) |
|---------------|-----------|-------------------------|-------------------|
| 5/6kW | 8AWG | 6.0 | 1.2Nm |
| 7.6/8/10/12kW | 6AWG | 10 | 1.2Nm |

Earth connection (Copper wires) (bypass)

| Model | Wire Size | Cable(mm ²) | Torque value(max) |
|---------------|-----------|-------------------------|-------------------|
| 5/6kW | 8AWG | 6.0 | 1.2Nm |
| 7.6/8/10/12kW | 6AWG | 10 | 1.2Nm |



Warning:

Inverter has built-in leakage current detection circuit, The type A RCD can be connected to the inverter for protection according to the local laws and regulations. If an external leakage current protection device is connected, its operating current must be equal to 300 mA or higher, otherwise inverter may not work properly.

3.9 WIFI Connection

For the configuration of Wi-Fi Plug, please refer to illustrations of the Wi-Fi Plug. The Wi-Fi Plug is not a standard configuration, it's optional.

For WIFI configuration, please check the manual of "Wi-Fi-Plug configuration manual".

For web monitoring, please visit: <https://www.deyecloud.com>.

For mobile monitoring, please scan the QR code to down load the APP.



Deye Cloud

All in one, Efficiency



Scan QR code to download APP



3.10 Communication Connection

1.BMS

Please connect the cable to BMS CAN port to realize BMS communication. Otherwise, BMS communication may fail. Please refer to Annex I for the interface pin definition of BMS RJ45 port.

2.DRM (Only DRM0 is available)

In Australia and New Zealand, the inverter supports the demand response modes as specified in the standard AS/NZS 4777. Please refer to Annex I for the interface pin definition of DRM RJ45 port.

3.11 Wiring System for Inverter

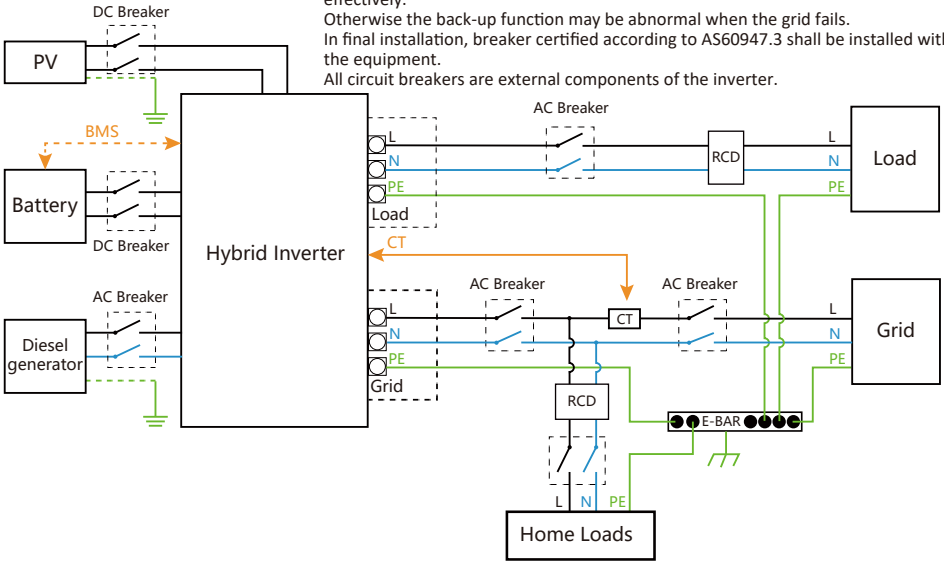
This diagram is an example for grid systems without special requirements on electrical wiring connection.

Note: The back-up PE line and earthing bar must be grounded properly and effectively.

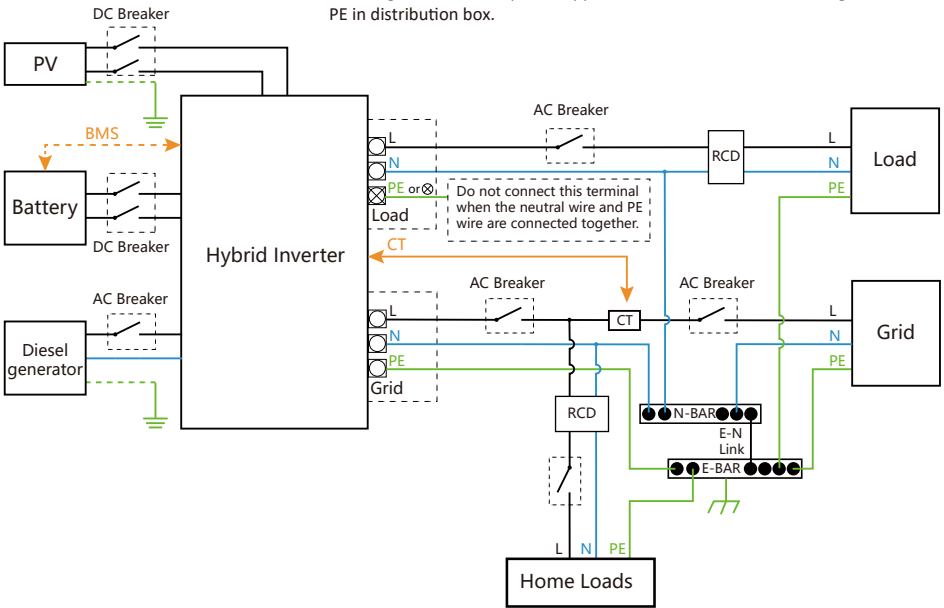
Otherwise the back-up function may be abnormal when the grid fails.

In final installation, breaker certified according to AS60947.3 shall be installed with the equipment.

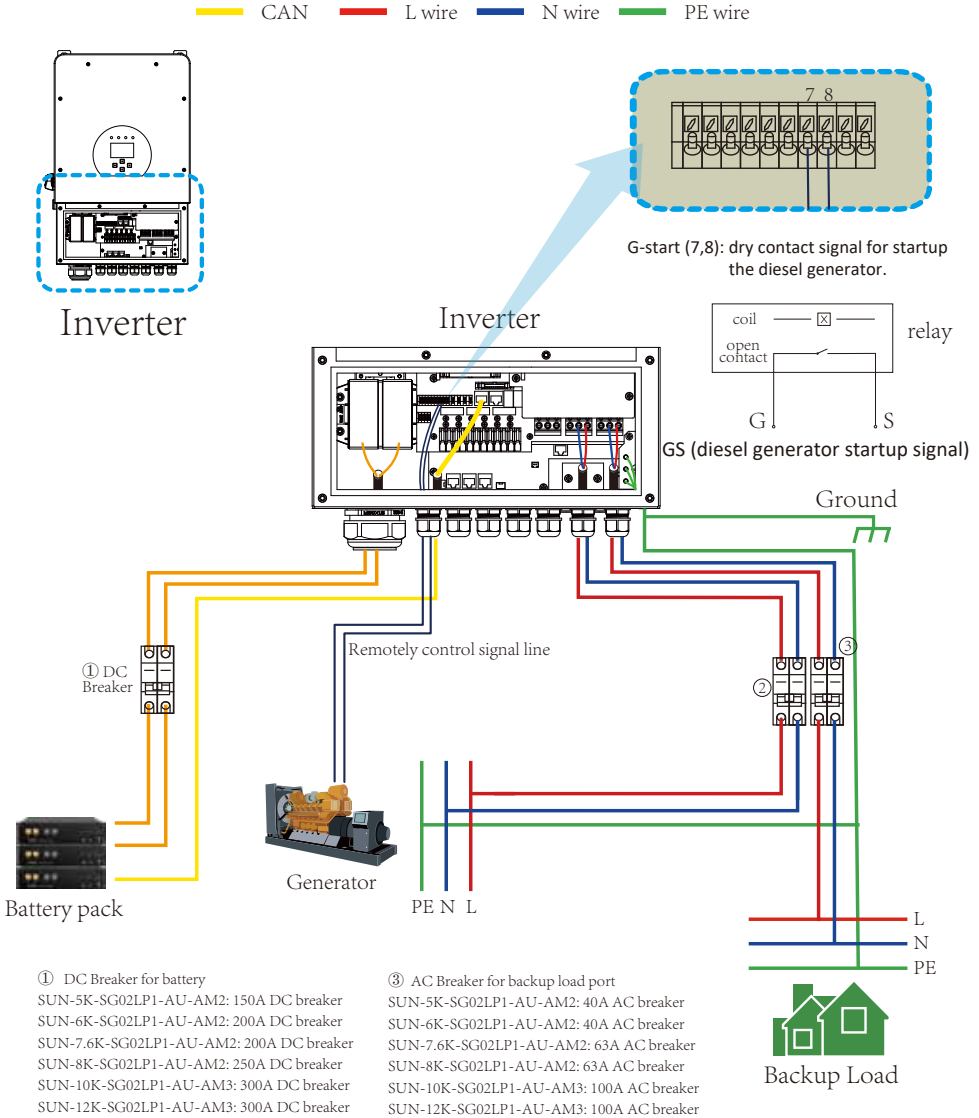
All circuit breakers are external components of the inverter.



This diagram is an example for application that Neutral connects together with PE in distribution box.



3.12 Typical application diagram of diesel generator



4. OPERATION

4.1 Power ON/OFF

Once the system has been properly installed and the battery is connected to the inverter, follow the steps below to turn on the inverter:

1. Turn all the breakers of the installation on.
2. Turn on the DC switch of the inverter and the power button of battery (If there is one battery installed at the system), no matter the order.
3. Press the ON/OFF button (located on the left side of the inverter case) to turn on the inverter. When a system connected to either PV or Grid (without battery) is switched on, the LCD will still be lighted up displaying "OFF". In this situation, after switching ON/OFF button on, select "NO batt" at the inverter settings to make the system work.

When turning off the inverter, please follow the following steps:

1. Turn off the AC breakers on Grid port, Load port and GEN port.
2. Press the ON/OFF button of hybrid inverter and turn off the DC breaker on battery side, turn off power button of the battery.
3. Switch off the DC switch.

NOTE: Choose the correct country code. (refer to section 5.8 of this manual) Notice: Different distribution network operators in different countries have different requirements regarding grid connections of PV grid connected inverters. Therefore, it's very important to make sure that you have selected the correct country code according to requirements of local authority. Please consult qualified electrical engineer or personnel from electrical safety authorities about this.

4.2 Operation and Display Panel

The operation and display panel, shown in below chart, is on the front panel of the inverter. It includes four indicators, four function keys and a LCD display, indicating the operating status and input/output power information.

| <i>LED Indicator</i> | | <i>Messages</i> |
|----------------------|-----------------------|---------------------------|
| DC | Green led solid light | PV Connection normal |
| AC | Green led solid light | Grid Connection normal |
| Normal | Green led solid light | Inverter operating normal |
| Alarm | Red led solid light | Malfunction or warning |

Chart 4-1 LED indicators

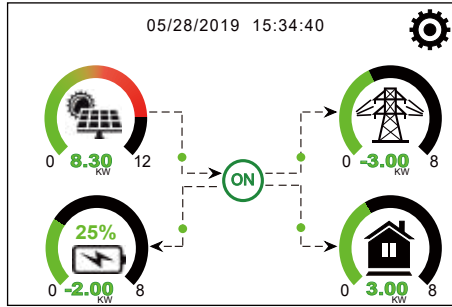
| <i>Function Key</i> | <i>Description</i> |
|---------------------|-----------------------------|
| Esc | To exit setting mode |
| Up | To go to previous selection |
| Down | To go to next selection |
| Enter | To confirm the selection |

Chart 4-2 Function Buttons

5. LCD Display Icons

5.1 Main Screen

The LCD is touchscreen, below screen shows the overall information of the inverter.



1.The icon in the center of the home screen indicates that the system is Normal operation. If it turns into "comm./F01~F64" , it means the inverter has communication errors or other errors, the error message will display under this icon(F01-F64 errors, detail error info can be viewed in the System Alarms menu).

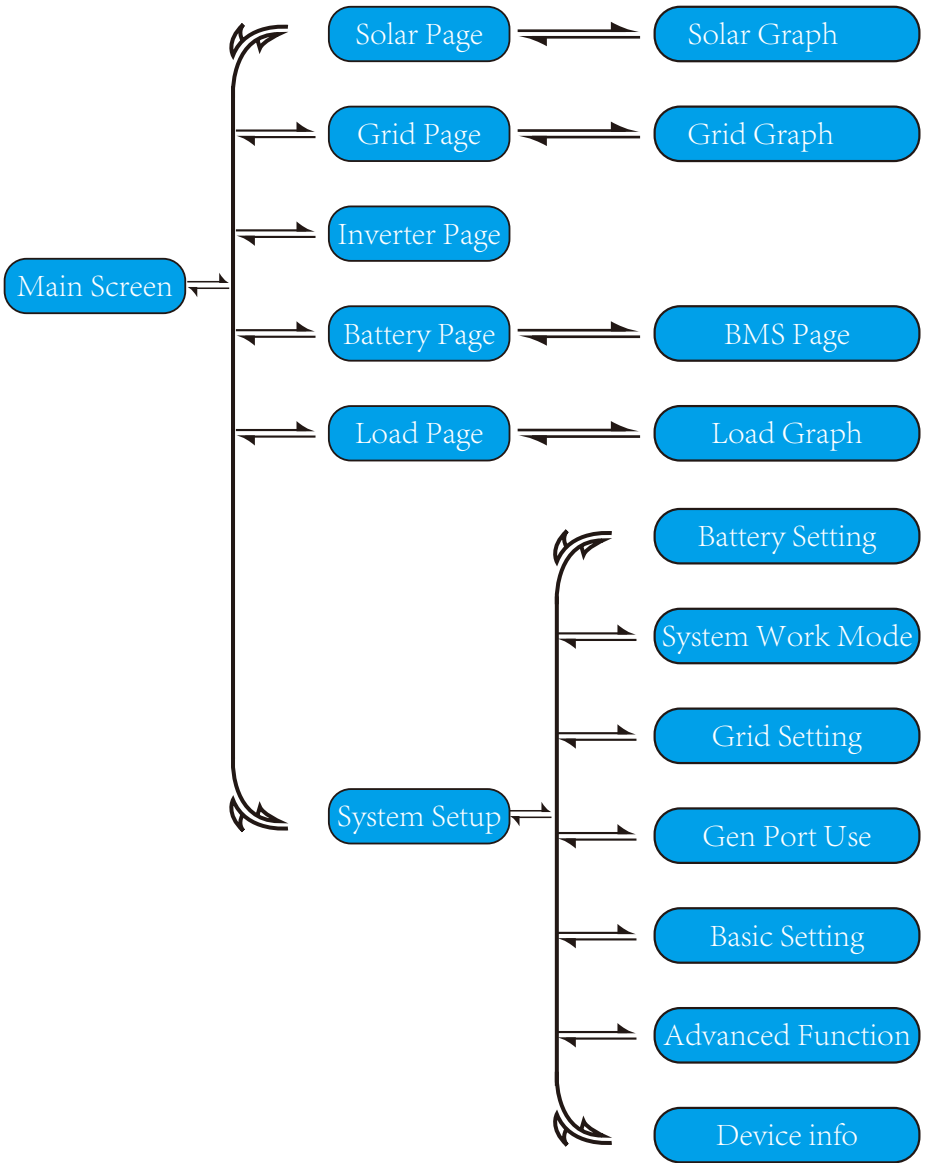
2.At the top of the screen is the time.

3.System Setup Icon, Press this set button,you can enter into the system setup screen which including Basic Setup, Battery Setup, Grid Setup, System Work Mode, Generator port use, Advanced function and Li-Batt info.

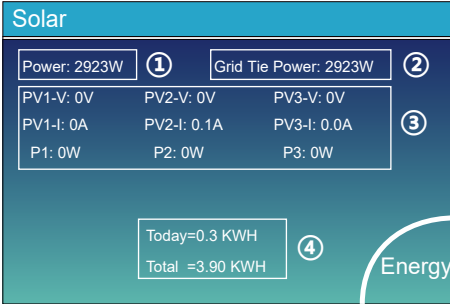
4.The main screen showing the info including Solar, Grid, Load and Battery. Its also displaying the energy flow direction by arrow. When the power is approximate to high level, the color on the panels will changing from green to red so system info showing vividly on the main screen.

- PV power and Load power always keep positive.
- Grid power negative means sell to grid, positive means get from grid.
- Battery power negative means charge, positive means discharge.

5.1.1 LCD operation flow chart

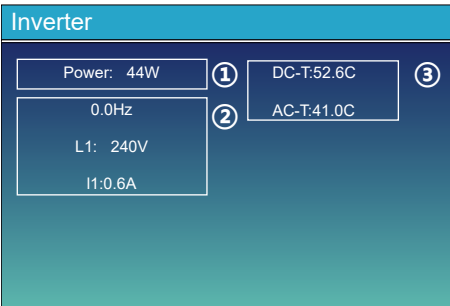


5.2 Solar Power Curve



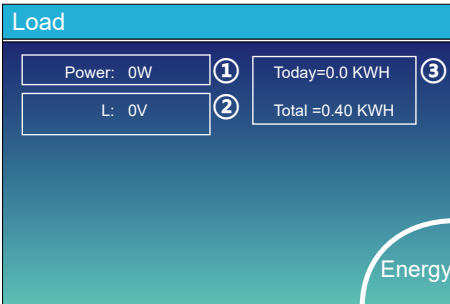
This is Solar Panel detail page.

- ① Solar Panel Generation.
- ② **Grid Tie Power:** when there's a string inverter AC couple at the grid or load side of hybrid inverter and there's a meter installed for the string inverter, then the hybrid inverter LCD will show the string inverter output power on its PV icon. Please make sure the meter can communicate with the hybrid inverter successfully.
- ③ Voltage, Current, Power for each MPPT.
- ④ Solar Panel energy for Day and Total.
Press the "Energy "button will enter into the power curve page.



This is Inverter detail page.

- ① Inverter Generation.
- ② 0.0Hz: frequency after DC/AC.
Voltage, Current, Power for each Phase.
- ③ *DC-T: mean DC-DC temperature,
AC-T: mean Heat-sink temperature.
*Note: this part info is not available for some LCD FW.



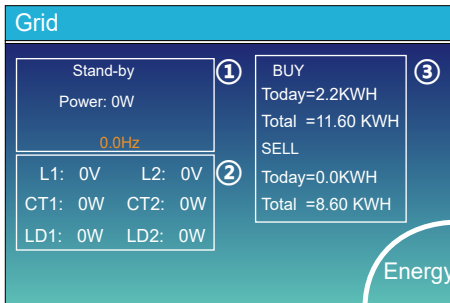
This is Load detail page.

- ① Load Power.
- ② Voltage, Power for each Phase.
- ③ Load consumption for Day and Total.

When you check "Selling First" or "Zero export to Load" on system work mode page, the information on this page is about backup load which connect on Load port of hybrid inverter.

When you check "Zero export to CT" on system work mode page, the information on this page is including backup load and home load.

Press the "Energy " button will enter into the power curve page.

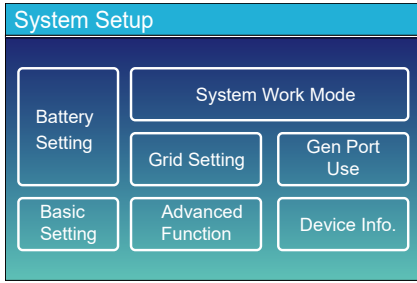


This is Grid detail page.

- ① Status, Power, Frequency.
- ② L1&L2: Voltage for each Phase
CT1&CT2: External Current Sensor Power
LD1&LD2: Internal Current Sensor Power.
- ③ BUY: Energy from Grid to Inverter,
SELL: Energy from Inverter to Grid.

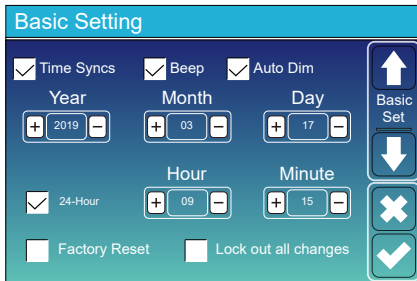
Press the "Energy " button will enter into the power curve page.

5.4 System Setup Menu

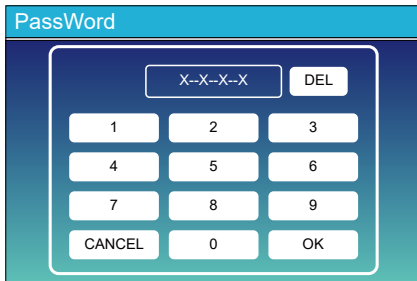


This is System Setup page.

5.5 Basic Setup Menu



Factory Reset: Reset all parameters of the inverter.
Lock out all changes: Enable this menu for setting parameters that require locking and cannot be set up. Before performing a successful factory reset and locking the systems, to keep all changes you need to type in a password to enable the setting.



System selfchek: After ticking this item, it needs input the password.

5.6 Battery Setup Menu

Battery Setting

Batt Mode

Lithium Batt Capacity 400Ah

Use Batt V Max A Charge 40A

Use Batt % Max A Discharge 40A

No Batt

Activate Battery Disable Float Charge

↑
Batt
Mode

↓

✕

✓

Battery capacity: it tells Deye hybrid inverter to know your battery bank size.
Use Batt V: Use Battery Voltage for all the settings (V).
Use Batt %: Use Battery SOC for all the settings (%).
Max. A charge/discharge: Max battery charge/discharge current (0-90A for 3.6kW model, 0-120A for 5kW model, 0-135A for 6kW model, 0-190A for 7.6/8kW model, 0-220A for 10kW model, 0-250A for 12kW model).
 For AGM and Flooded, we recommend Ah battery size x 20%= Charge/Discharge amps.
 . For Lithium, we recommend Ah battery size x 50% = Charge/Discharge amps.
 . For Gel, follow manufacturer' s instructions.
No Batt: tick this item if no battery is connected to the system.

Active battery: This feature will help recover a battery that is over discharged by slowly charging from the solar array or grid.

Disable Float Charge: For the lithium battery with BMS communication, the inverter will keep the charging voltage at the current voltage when the BMS charging current requested is 0. It is used to help prevent battery from being overcharged.

Battery Setting

Start 30% 30%

A 40A 40A

Gen Charge Grid Charge

Gen Signal Grid Signal

Gen Force

↑
Batt
Set2

↓

✕

✓

This is Battery Setup page. ① ③

Start =30%: Percent S.O.C at 30% system will AutoStart a connected generator to charge the battery bank.

A = 40A: Charge rate of 40A from the attached generator in Amps.

Gen Charge: uses the gen input of the system to charge battery bank from an attached generator.

Gen Signal: Normally open relay that closes when the Gen Start signal state is active.

Gen Force: When the generator is connected, it is forced to start the generator without meeting other conditions.

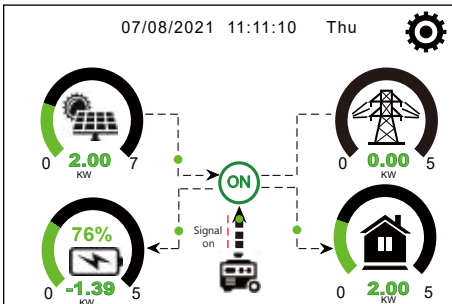
This is Grid Charge, you need select. ②

Start =30%: No use, Just for customization.

A = 40A: It indicates the Current that the Grid charges the Battery.

Grid Charge: It indicates that the grid charges the battery.

Grid Signal: Disable.



This page tells the PV and diesel generator power the load and battery.

Generator

Power: 1392W

Today=0.0 KWH

Total =2.20 KWH

L1: 228V

Freq:50.0Hz

This page tells generator output voltage, frequency, power. And, how much energy is used from generator.

Battery Setting

Lithium Mode

00

Shutdown

10%

Low Batt

20%

Restart

40%



Batt Set3



Lithium Mode: This is BMS protocol. Please reference the document (Approved Battery).

Shutdown 10%: It indicates the inverter will shutdown if the SOC below this value.

Low Batt 20%: It indicates the inverter will alarm if the SOC below this value.

Restart 40%: Battery voltage at 40% AC output will resume.

Battery Setting

Float V

53.6V

Absorption V

57.6V

Equalization V

57.6V

Equalization Days

30 days

Equalization Hours

3.0 hours

Shutdown

20%

Low Batt

35%

Restart

50%

TEMPCO(mV/C/Cell)

-5

Batt Resistance

25mOhms



Batt Set3



There are 3 stages of charging the Battery .

This is for professional installers, you can keep it if you do not know.

Shutdown 20%: The inverter will shutdown if the SOC below this value.

Low Batt 35%: The inverter will alarm if the SOC below this value.

Restart 50%: Battery SOC at 50% AC output will resume.

Recommended battery settings

| Battery Type | Absorption Stage | Float Stage | Equalization Voltage (every 30 days 3hr) |
|--------------|-----------------------------------|---------------|--|
| AGM (or PCC) | 14.2V (57.6V) | 13.4V (53.6V) | 14.2V (57.6V) |
| Gel | 14.1V (56.4V) | 13.5V (54.0V) | |
| Wet | 14.7V (59.0V) | 13.7V (55.0V) | 14.7V (59.0V) |
| Lithium | Follow its BMS voltage parameters | | |

5.7 System Work Mode Setup Menu

System Work Mode

Selling First 8000 Max Solar Power

Zero Export To Load Solar Sell

Zero Export To CT Solar Sell

Max Sell Power 8000 Zero-export Power 20

Energy pattern BattFirst LoadFirst

Grid Peak Shaving 8000 Power

↑ Work Mode1

↓

✕

✓

Work Mode

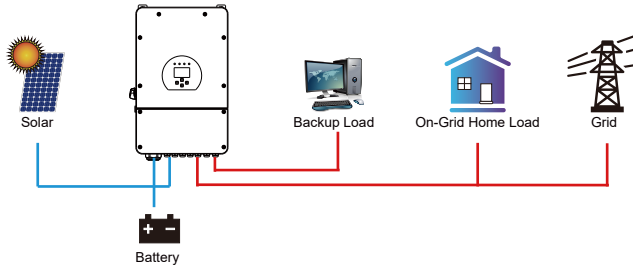
Selling First(Generation limit control): This Mode allows hybrid inverter to sell back any excess power produced by the solar panels to the grid. If time of use is active, the battery energy also can be sold into grid.

The PV energy will be used to power the load and charge the battery and then excess energy will flow to grid.

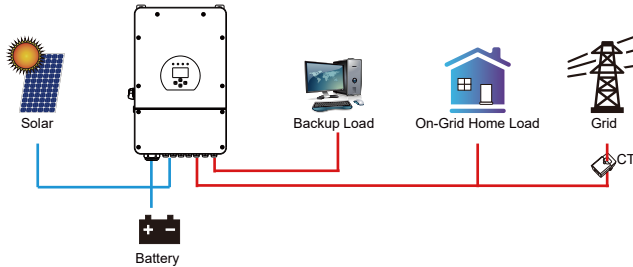
Power source priority for the load is as follows:

1. Solar Panels.
2. Grid.
3. Batteries (until programmable % discharge is reached).

Zero Export To Load: Hybrid inverter will only provide power to the backup load connected. The hybrid inverter will neither provide power to the home load nor sell power to grid. The built-in CT will detect power flowing back to the grid and will reduce the power of the inverter only to supply the local load and charge the battery.



Zero Export To CT(Export limit control): Hybrid inverter will not only provide power to the backup load connected but also give power to the home load connected. If PV power and battery power is insufficient, it will take grid energy as supplement. The hybrid inverter will not sell power to grid. In this mode, a CT is needed. The installation method of the CT please refer to chapter 3.6 CT Connection. The external CT will detect power flowing back to the grid and will reduce the power of the inverter only to supply the local load, charge battery and home load.



Selling First is Generation limit control function, which limits the amount of power generated by the inverter. In this state Max. sell power is the soft limit of the maximum apparent power that the inverter can generate, and Zero-export Power is the hard limit of the maximum apparent power that the inverter can generate.

Zero Export To CT is Export limit control function, it can limit the inverter export to grid active power. max. sell power is soft limit inverter export to grid max. active power, Zero-export Power is hard limit inverter export to grid.



Note:

Customer can only use export limit control function by CT or meter.

Solar Sell: “Solar sell” is for Zero export to load or Zero export to CT: when this item is active, the surplus energy can be sold back to grid. When it is active, PV Power source priority usage is as follows: load consumption and charge battery and feed into grid.

Max. sell power: Allowed the maximum output power to flow to grid.

Zero-export Power: for zero-export mode, it tells the grid output power. Recommend to set it as 20-100W to ensure the hybrid inverter won't feed power to grid.

Energy Pattern: PV Power source priority.

Batt First: PV power is firstly used to charge the battery and then used to power the load. If PV power is insufficient, grid will make supplement for battery and load simultaneously.

Load First: PV power is firstly used to power the load and then used to charge the battery. If PV power is insufficient, grid will make supplement for battery and load simultaneously.

Max Solar Power: allowed the maximum DC input power.

Grid Peak-shaving: when it is active, grid output power will be limited within the set value. If the load power exceeds the allowed value, it will take PV energy and battery as supplement. If still can't meet the load requirement, grid power will increase to meet the load needs.

System Work Mode

| Grid Charge | Gen | Time Of Use | | | Batt |
|-------------------------------------|--------------------------|-------------|-------|------|-------|
| | | Time | Power | | |
| <input type="checkbox"/> | <input type="checkbox"/> | 01:00 | 5:00 | 5000 | 49.0V |
| <input type="checkbox"/> | <input type="checkbox"/> | 05:00 | 9:00 | 5000 | 50.2V |
| <input checked="" type="checkbox"/> | <input type="checkbox"/> | 09:00 | 13:00 | 5000 | 50.9V |
| <input checked="" type="checkbox"/> | <input type="checkbox"/> | 13:00 | 17:00 | 5000 | 51.4V |
| <input checked="" type="checkbox"/> | <input type="checkbox"/> | 17:00 | 21:00 | 5000 | 47.1V |
| <input checked="" type="checkbox"/> | <input type="checkbox"/> | 21:00 | 01:00 | 5000 | 49.0V |

Work Mode2

Time of use: it is used to program when to use grid or generator to charge the battery, and when to discharge the battery to power the load. Only tick "Time Of Use" then the follow items (Grid, charge, time, power etc.) will take effect.

Note: when in selling first mode and click time of use, the battery power can be sold into grid.

Grid charge: utilize grid to charge the battery in a time period.

Gen charge: utilize diesel generator to charge the battery in a time period.

Time: real time, range of 01:00-24:00.

Power: Max. discharge power of battery allowed.

Batt(V or SOC %): battery SOC % or voltage at when the action is to happen.

For example:

During 01:00-05:00, when battery SOC is lower than 80%, it will use grid to charge the battery until battery SOC reaches 80%.

During 05:00-08:00 and 08:00-10:00, when battery SOC is higher than 40%, hybrid inverter will discharge the battery until the SOC reaches 40%.

During 10:00-15:00, when battery SOC is higher than 80%, hybrid inverter will discharge the battery until the SOC reaches 80%.

During 15:00-18:00, when battery SOC is higher than 40%, hybrid inverter will discharge the battery until the SOC reaches 40%.

During 18:00-01:00, when battery SOC is higher than 35%, hybrid inverter will discharge the battery until the SOC reaches 35%.

System Work Mode

| Grid Charge | Gen | Time Of Use | | | Batt |
|-------------------------------------|--------------------------|-------------|-------|------|------|
| | | Time | Power | | |
| <input checked="" type="checkbox"/> | <input type="checkbox"/> | 01:00 | 5:00 | 5000 | 80% |
| <input type="checkbox"/> | <input type="checkbox"/> | 05:00 | 8:00 | 5000 | 40% |
| <input type="checkbox"/> | <input type="checkbox"/> | 08:00 | 10:00 | 5000 | 40% |
| <input type="checkbox"/> | <input type="checkbox"/> | 10:00 | 15:00 | 5000 | 80% |
| <input type="checkbox"/> | <input type="checkbox"/> | 15:00 | 18:00 | 5000 | 40% |
| <input type="checkbox"/> | <input type="checkbox"/> | 18:00 | 01:00 | 5000 | 35% |

Work Mode2

System Work Mode

| Mon | Tue | Wed | Thu | Fri | Sat | Sun |
|-------------------------------------|-------------------------------------|-------------------------------------|-------------------------------------|-------------------------------------|-------------------------------------|--------------------------|
| <input checked="" type="checkbox"/> | <input checked="" type="checkbox"/> | <input checked="" type="checkbox"/> | <input checked="" type="checkbox"/> | <input checked="" type="checkbox"/> | <input checked="" type="checkbox"/> | <input type="checkbox"/> |

Work Mode4

It allows users to choose which day to execute the setting of “Time of Use”.

For example, the inverter will execute the time of use page on Mon/Tue/Wed/Thu/Fri/Sat only.

5.8 Grid Setup Menu

5.8.1 Commissioning Procedure

If all physical connection is checked ok, please follow the steps below.

1. Turn on AC circuit breaker.
2. Turn on DC circuit breaker on PV strings and battery.
3. Turn on circuit breaker on battery pack.
4. Turn on DC switch on the inverter
5. Check the inverter status by inverter indicators and battery status by battery indicators.



Note:

The inverter has not been tested to AS/NZS 4777.2:2020 for multiple inverter combinations and/or multiple phase inverter combinations such combinations should be used or external devices should be used in accordance with the requirements of AS/NZS 4777.1

5.8.2 Grid Standard Selection

Grid Setting

Unlock Grid Setting

Grid Mode: General Standard 0/16

Grid Frequency: 50HZ 60HZ

Grid Type: Single Phase 120/240V Split Phase 120/208V 3 Phase

INV Output Voltage: 240V
220V
230V
200V

Grid Set1

Unlock Grid Setting: before changing the grid parameters, please enable this with password. Then it is allowed to change the grid parameters.

Grid Mode: General Standard、UL1741 & IEEE1547、CPUC RULE21、SRD-UL-1741、CEI 0-21、EN50549_CZ、Australia_A、Australia_B、Australia_C、NewZealand、VDE4105、OVE_Directive_R25、EN50549_CZ_PPDS_L16A、NRS097、G98/G99、G98/G99_NI、ESB Networks(Ireland). Please follow the local grid code and then choose the corresponding grid standard.

For The Australian Market:

For compliance with AS/NZS 4777.2:2020 please select from

- Australia A
- Australia B
- Australia C
- New Zealand

Please contact your local grid operator for which option to select

Note: By selecting Australia A, Australia B or Australia C the power quality response mode and grid protection settings will be reset to their default values for Australia RegionA, B, C respectively.

Default volt-watt settings for different regions are shown in the following table:

| Region | Default value | Vw ₁ | Vw ₁ -ch | Vw ₂ | Vw ₂ -ch |
|-------------|---|-----------------|---------------------|-----------------|---------------------|
| Australia A | Voltage | 253V | 207V | 260V | 215V |
| | Inverter maximum active power output level(P) % of S _{rated} | 100% | 20% | 20% | 100% |
| Australia B | Voltage | 250V | 195V | 260V | 215V |
| | Inverter maximum active power output level(P) % of S _{rated} | 100% | 0% | 20% | 100% |
| Australia C | Voltage | 253V | 207V | 260V | 215V |
| | Inverter maximum active power output level(P) % of S _{rated} | 100% | 20% | 20% | 100% |
| New Zealand | Voltage | 242V | 216V | 250V | 224V |
| | Inverter maximum active power output level(P) % of S _{rated} | 100% | 20% | 20% | 100% |

Default volt-var settings for different regions are shown in the following table:

| Region | Default value | Vv ₁ | Vv ₂ | Vv ₃ | Vv ₄ |
|-------------|---|-----------------|-----------------|-----------------|-----------------|
| Australia A | Voltage | 207V | 220V | 240V | 258V |
| | Inverter maximum active power output level(P) % of S _{rated} | 44%supplying | 0% | 0% | 60%absorbing |
| Australia B | Voltage | 205V | 220V | 235V | 255V |
| | Inverter maximum active power output level(P) % of S _{rated} | 30%supplying | 0% | 0% | 40%supplying |
| Australia C | Voltage | 215V | 230V | 240V | 255V |
| | Inverter maximum active power output level(P) % of S _{rated} | 44%supplying | 0% | 0% | 60%supplying |
| New Zealand | Voltage | 207V | 220V | 235V | 244V |
| | Inverter maximum active power output level(P) % of S _{rated} | 60%supplying | 0% | 0% | 60%supplying |

Grid Setting/Connect

| | | | |
|----------------------|---------------------|-----------------|----------------|
| Normal connect | Normal Ramp rate | 60s | ↑ Grid Set2 |
| Low frequency | High frequency | 48.00Hz 51.50Hz | |
| Low voltage | High voltage | 185.0V 265.0V | ↓ |
| Reconnect after trip | Reconnect Ramp rate | 60s | ✕ |
| Low frequency | High frequency | 48.20Hz 51.30Hz | |
| Low voltage | High voltage | 187.0V 263.0V | ✓ |
| Reconnection Time | PF | 60s 1.000 | |

Normal connect: The allowed grid voltage/frequency range when the inverter first time connect to the grid.
Normal Ramp rate: It is the startup power ramp.

Reconnect after trip: The allowed grid voltage /frequency range for the inverter connects the grid after the inverter trip from the grid.
Reconnect Ramp rate: it is the reconnection power ramp.

Reconnection time: The waiting time period for the inverter connects the grid again
PF: Power factor which is used to adjust inverter reactive power

Grid Setting/IP Protection

| | | | | | | |
|---------------------------------------|--------|--------|----------------|---------|-------|---|
| Over voltage U>(10 min. running mean) | | 260.0V | ↑ Grid Set3 | | | |
| HV3 | 265.0V | HF3 | | 51.50Hz | | |
| HV2 | 265.0V | 0.10s | HF2 | 51.50Hz | 0.10s | ↓ |
| HV1 | 265.0V | 0.10s | HF1 | 51.50Hz | 0.10s | |
| LV1 | 185.0V | 0.10s | LF1 | 48.00Hz | 0.10s | ✕ |
| LV2 | 185.0V | 0.10s | LF2 | 48.00Hz | 0.10s | |
| LV3 | 185.0V | | LF3 | 48.00Hz | | ✓ |

HV1: Level 1 overvoltage protection point;
HV2: Level 2 overvoltage protection point; ② 0.10s—Trip time.
HV3: Level 3 overvoltage protection point.

LV1: Level 1 undervoltage protection point;
LV2: Level 2 undervoltage protection point;
LV3: Level 3 undervoltage protection point.

HF1: Level 1 over frequency protection point;
HF2: Level 2 over frequency protection point;
HF3: Level 3 over frequency protection point.

LF1: Level 1 under frequency protection point;
LF2: Level 2 under frequency protection point;
LF3: Level 3 under frequency protection point.

Grid Setting/F(W)

| | | |
|-------------------------------|--------------|-----------------|
| <input type="checkbox"/> F(W) | | ↑ Grid Set4 |
| Over frequency | Droop f | |
| Start freq f | Stop freq f | 50.20Hz 50.20Hz |
| Start delay f | Stop delay f | 0.00s 0.00s |
| Under frequency | Droop f | 40%PE/Hz |
| Start freq f | Stop freq f | 49.80Hz 49.80Hz |
| Start delay f | Stop delay f | 0.00s 0.00s |

FW: this series inverter is able to adjust inverter output power according to grid frequency.

Droop f: percentage of nominal power per Hz
 For example, “Start freq f > 50.2Hz, Stop freq f < 50.2, Droop f=40%PE/Hz” when the grid frequency reaches 50.2Hz, the inverter will decrease its active power at Droop f of 40%. And then when grid system frequency is less than 50.2Hz, the inverter will stop decreasing output power.

For the detailed setup values, please follow the local grid code.

Grid Setting/V(W) V(Q)

V(W) V(Q)

| | | | | | | | |
|----|--------|----|------|------------|--------|-------------|------|
| V1 | 109.0% | P1 | 100% | Lock-in/Pn | 5% | Lock-out/Pn | 20% |
| V2 | 110.0% | P2 | 20% | V1 | 90.0% | Q1 | 44% |
| V3 | 111.0% | P3 | 20% | V2 | 95.7% | Q2 | 0% |
| V4 | 111.0% | P4 | 20% | V3 | 104.3% | Q3 | 0% |
| | | | | V4 | 112.2% | Q4 | -60% |

Grid Set5

↑ ↓ ✕ ✓

V(W): It is used to adjust the inverter active power according to the set grid voltage.
V(Q): It is used to adjust the inverter reactive power according to the set grid voltage.
 This function is used to adjust inverter output power (active power and reactive power) when grid voltage changes.

Lock-in/Pn 5%: When the inverter active power is less than 5% rated power, the VQ mode will not take effect.
Lock-out/Pn 20%: If the inverter active power is increasing from 5% to 20% rated power, the VQ mode will take effect again.

For example: V2=110%, P2=20%. When the grid voltage reaches the 110% times of rated grid voltage, inverter output power will reduce its active output power to 20% rated power.

For example: V1=90%, Q1=44%. When the grid voltage reaches the 90% times of rated grid voltage, inverter output power will output 44% reactive output power.

For the detailed setup values, please follow the local grid code.

Grid Setting/P(Q) P(F)

P(Q) P(PF)

| | | | | | | | |
|----|----|----|----|------------|-----|-------------|--------|
| P1 | 0% | Q1 | 0% | Lock-in/Pn | 50% | Lock-out/Pn | 50% |
| P2 | 0% | Q2 | 0% | P1 | 0% | PF1 | -2.400 |
| P3 | 0% | Q3 | 0% | P2 | 0% | PF2 | 0.000 |
| P4 | 0% | Q4 | 0% | P3 | 0% | PF3 | 0.000 |
| | | | | P4 | 0% | PF4 | 6.000 |

Grid Set6

↑ ↓ ✕ ✓

P(Q): It is used to adjust the inverter reactive power according to the set active power.

P(PF): It is used to adjust the inverter PF according to the set active power.
 For the detailed setup values, please follow the local grid code.

Lock-in/Pn 50%: When the inverter output active power is less than 50% rated power, it won't enter the P(PF) mode.

Lock-out/Pn 50%: When the inverter output active power is higher than 50% rated power, it will enter the P(PF) mode.

Note : only when the grid voltage is equal to or higher than 1.05times of rated grid voltage, then the P(PF) mode will take effect.

Grid Setting/LVRT

L/HVR

| | |
|-----|------|
| HV1 | 115% |
| LV1 | 50% |

Grid Set7

↑ ↓ ✕ ✓

Reserved: This function is reserved. It is not recommended.

Basic Setting

Time Syncs Beep Auto Dim

Year: 2019 Month: 03 Day: 17

Hour: 09 Minute: 15

24-Hour Lock out all changes

Factory Reset

Basic Set

↑ ↓ ✕ ✓

After setting grid parameters, please select "Lock out all changes" and enter password. If the engineer does not know the password, please contact your distributor or Deye.

5.8.2 Grid Parameter Check

After steps above, customers can see firmware version on main page grid parameters in grid settings on LCD.

5.9 Generator Port Use Setup Menu

GEN PORT USE

| | | |
|--|---|---|
| <p>Mode</p> <p><input checked="" type="radio"/> Generator Input Rated Power: 8000W</p> <p><input type="radio"/> SmartLoad Output Power: 500W</p> <p><input type="radio"/> Micro Inv Input ON: 100% OFF: 95%</p> | <p><input type="checkbox"/> AC couple on grid side</p> <p><input type="checkbox"/> AC couple on load side</p> <p><input type="checkbox"/> GEN connect to Grid input</p> <p><input type="checkbox"/> On Grid always on</p> <p><input type="checkbox"/> off grid immediately off</p> <p>AC Couple Fre High: 52.00Hz</p> | <div style="border: 1px solid black; padding: 2px; margin-bottom: 5px;">↑ PORT Set1</div> <div style="border: 1px solid black; padding: 2px; margin-bottom: 5px;">↓</div> <div style="border: 1px solid black; padding: 2px; margin-bottom: 5px;">✕</div> <div style="border: 1px solid black; padding: 2px;">✓</div> |
|--|---|---|

Generator input rated power: allowed Max. power from diesel generator.

GEN connect to grid input: connect the diesel generator to the grid input port.

Smart Load Output: This mode utilizes the Gen input connection as an output which only receives power when the battery SOC and PV power is above a user programmable threshold.

e.g. Power=500W, ON: 100%, OFF=95%: When the PV power exceeds 500W, and battery bank SOC reaches 100%, Smart Load Port will switch on automatically and power the load connected. When the battery bank SOC < 95% or PV power < 500w, the Smart Load Port will switch off automatically.

Smart Load OFF Batt

- Battery SOC at which the Smart load will switch off.

Smart Load ON Batt

- Battery SOC at which the Smart load will switch on. Also, the PV input power should exceed the setting value (Power) simultaneously and then the Smart load will switch on.

On Grid always on: When click "on Grid always on" the smart load will switch on when the grid is present.

off grid immediately off: the smart load will stop working immediately when the grid is disconnected if this item is active.

Micro Inv Input: To use the Generator input port as a micro-inverter on grid inverter input (AC coupled), this feature will also work with "Grid-Tied" inverters.

- * **Micro Inv Input OFF:** when the battery SOC exceeds setting value, Microinverter or grid-tied inverter will shut down.
- * **Micro Inv Input ON:** when the battery SOC is lower than setting value, Microinverter or grid-tied inverter will start to work.

AC Couple Fre High: If choosing "Micro Inv input", as the battery SOC reaches gradually setting value (OFF), During the process, the microinverter output power will decrease linear. When the battery SOC equals to the setting value (OFF), the system frequency will become the setting value (AC couple Fre high) and the Microinverter will stop working.

Stop exporting power produced by the microinverter to the grid.

- * **Note:** Micro Inv Input OFF and On is valid for some certain FW version only.
- * **AC couple on load side:** connecting the output of on-grid inverter at the load port of the hybrid inverter. In this situation, the hybrid inverter will not able to show the load power correctly.
- * **AC couple on grid side:** this function is reserved.
- * **Note:** Some firmware versions don't have this function.

5.10 Advanced Function Setup Menu

Advanced Function

| | | |
|---|--|---|
| <p><input type="checkbox"/> Solar Arc Fault ON(Optional)</p> <p><input type="checkbox"/> Clear Arc_Fault(Optional)</p> <p><input type="checkbox"/> System selfcheck</p> <p><input type="checkbox"/> DRM</p> <p><input type="checkbox"/> Signal ISLAND MODE</p> <p><input type="checkbox"/> BMS_Err_Stop</p> | <p>Backup Delay: 0ms</p> <p>Gen peak-shaving</p> <p>CT Ratio: 2000: 1</p> <p>CEI 0-21 Report</p> | <div style="border: 1px solid black; padding: 2px; margin-bottom: 5px;">↑ Func Set1</div> <div style="border: 1px solid black; padding: 2px; margin-bottom: 5px;">↓</div> <div style="border: 1px solid black; padding: 2px; margin-bottom: 5px;">✕</div> <div style="border: 1px solid black; padding: 2px;">✓</div> |
|---|--|---|

Solar Arc Fault ON(Optional): This feature is optional. After enabling this function, the inverter will detect whether there is an arcing fault on the PV side. If arcing occurs, the inverter will report a fault and stop outputting power.

Clear Arc_Fault(Optional): After the arc fault on the PV side is eliminated, enabling this function can eliminate the arc fault alarm of the inverter and restore normal operation of the inverter.

System selfcheck: Disable. this is only for factory.

Gen Peak-shaving: Enable When the power of the generator exceeds the rated value of it, the inverter will provide the redundant part to ensure that the generator will not overload.

DRM: For AS4777 standard (Only DRMO is available).

Backup Delay: When the grid cuts off, the inverter will give output power after the setting time.

For example, backup delay: 3ms. the inverter will give output power after 3ms when the grid cuts off.

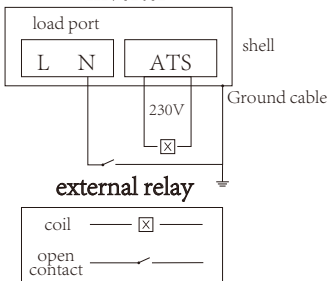
Note: for some old FW version, the function is not available.

BMS_Err_Stop: When it is active, if the battery BMS failed to communicate with inverter, the inverter will stop working and report fault.

Signal ISLAND MODE: when "signal island mode" is checked and the inverter connects the grid, the ATS port voltage will be 0. When "signal island mode" is checked and the inverter disconnected from the grid, the ATS port voltage will output 230Vac voltage. With this feature and outside NO type relay, it can realize N and PE disconnection or bond.

More details, please refer to left side picture.

Inverter



Advanced Function

DC 1 for WindTurbine DC 2 for WindTurbine

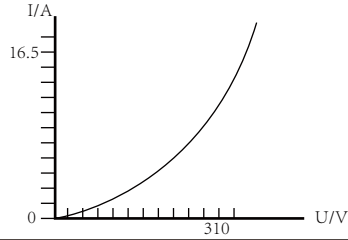
| | | | | | |
|----|------|------|-----|------|-------|
| V1 | 90V | 0.0A | V7 | 210V | 9.0A |
| V2 | 110V | 1.5A | V8 | 230V | 10.5A |
| V3 | 130V | 3.0A | V9 | 250V | 12.0A |
| V4 | 150V | 4.5A | V10 | 270V | 13.5A |
| V5 | 170V | 6.0A | V11 | 290V | 15.0A |
| V6 | 190V | 7.5A | V12 | 310V | 16.5A |

Wind Set2

Paral. Set3

Func Set4

This is for Wind Turbine



Advanced Function

Parallel Modbus SN A Phase

Master 00 B Phase

Slave C Phase

Ex_Meter For CT Meter Select

A Phase CHNT-3P 0/4

B Phase CHNT-1P

C Phase Easton-3P

Grid Side INV Meter2 Easton-1P

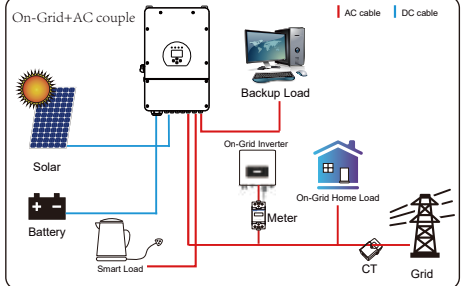
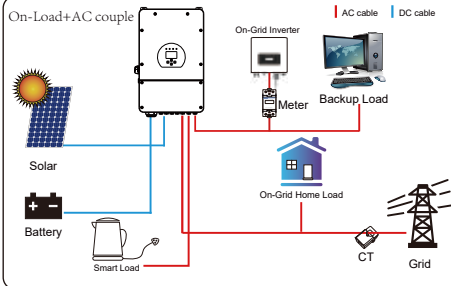
Func Set3

Func Set4

Ex_Meter For CT: when in Three phase system with CHNT Three phase energy meter (DTSU666), click corresponding phase where hybrid inverter is connected. e.g. when the hybrid inverter output connects to A phase, please click A Phase.

Meter Select: select the corresponding meter type according to the meter installed in the system.

Grid Side INV Meter2: when there's a string inverter AC couple at the grid or load side of hybrid inverter and there's a meter installed for the string inverter, then the hybrid inverter LCD will show the string inverter output power on its PV icon. Please make sure the meter can communicate with the hybrid inverter successfully.



Advanced Function

ATS ON

8820W 8320W

Export power limiter Import power limiter

Low Noise Mode

Low Power Mode<Low Batt

MPPT Multi-Point Scanning

Func Set4

ATS: It is related with ATS port voltage. it is better in "uncheck" position.

Export power limiter: It is used to setup the allowed the maximum output power to flow to grid.





Import power limiter: when it is active, the grid output power will be limited. its priority is lower than "grid peak shaving" if the "grid peak shaving" is selected.

Low Noise Mode: In this mode, inverter will work in "low noise mode".

Low Power Mode<Low Batt: if selected and when battery SOC is less than "Low Batt" value, the self-consumption power of inverter will be from grid and battery simultaneously. If unselected, the self-consumption power of inverter will be mainly from grid.

MPPT Multi-Point Scanning: it will check whether the I/V of PV is working on its Max. power point. If not, then it will adjust I/V to the Max. power point.

5.11 Device Info Setup Menu

| Device Info. | | |
|-----------------------------|-----------------------|---|
| Inverter ID: 1601012001 | Flash |  Device Info    |
| HMI: Ver0302 | MAIN: Ver 0-5213-0717 | |
| Alarms Code | Occurred | |
| F64 Heatsink_HighTemp_Fault | 2019-03-11 15:56 | |
| F64 Heatsink_HighTemp_Fault | 2019-03-08 10:46 | |
| F64 Heatsink_HighTemp_Fault | 2019-03-08 10:45 | |

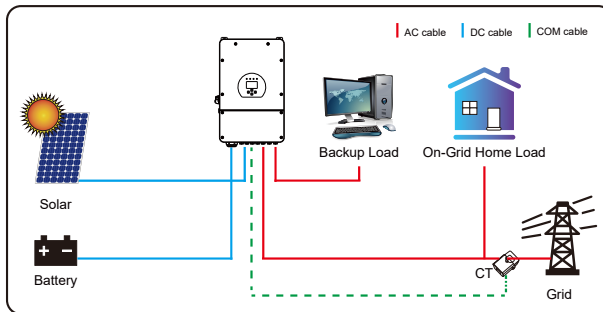
This page show Inverter ID, Inverter version and alarm codes.

HMI: LCD version

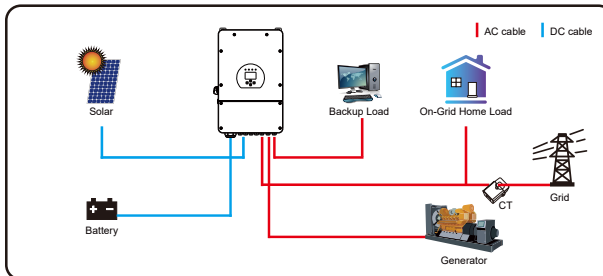
MAIN: Control board FW version

6. Mode

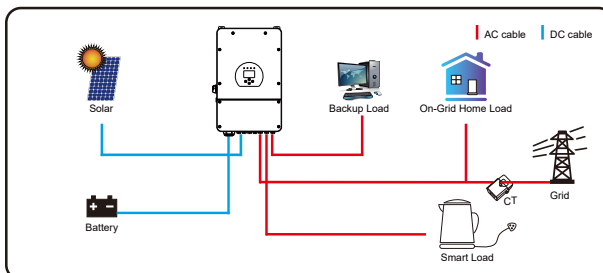
Mode I: Basic



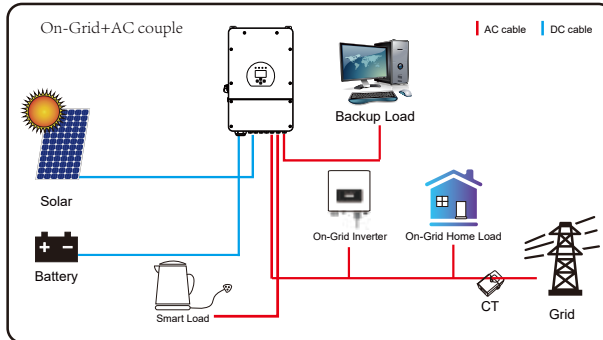
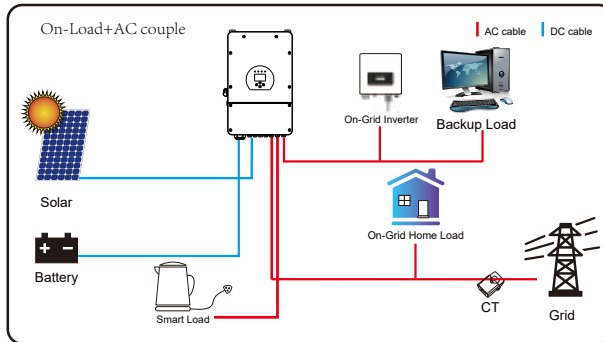
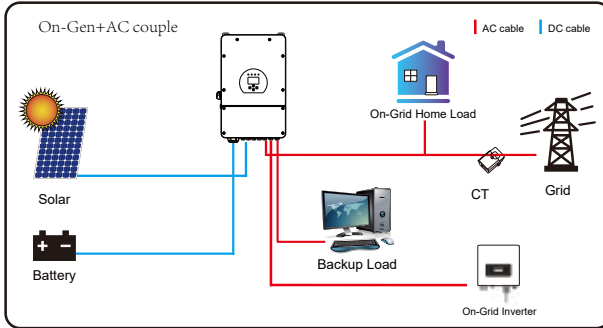
Mode II: With Generator



Mode III: With Smart-Load



Mode IV: AC Couple



The 1st priority power of the system is always the PV power, then 2nd and 3rd priority power will be the battery bank or grid according to the settings. The last power backup will be the Generator if it is available.

7. Fault information and processing

The energy storage inverter is designed according to the grid-connected operation standard and meets the safety requirements and electromagnetic compatibility requirements. Before leaving the factory, the inverter undergoes several rigorous tests to ensure that the inverter can operate reliably.



If any of the fault messages listed in Table 7-1 appear on your inverter and the fault has not been removed after restarting, please contact your local dealer or service center. You need to have the following information ready.

1. Inverter serial number;
2. Distributor or service center of the inverter ;
3. On-grid power generation date;
4. The problem description (including the fault code and indicator status displayed on the LCD) is as detailed as possible.
5. Your contact information. In order to give you a clearer understanding of the inverter's fault information, we will list all possible fault codes and their descriptions when the inverter is not working properly.

| Error code | Description | Solutions |
|-------------------|--|---|
| F08 | GFDI_Relay_Failure | <ol style="list-style-type: none"> 1. When inverter is in Split phase(120/240Vac) or three-phase system (120/208Vac) system, the backup load port N line needs to connect ground; 2. If the fault still exists, please contact us for help. |
| F13 | Working mode change | <ol style="list-style-type: none"> 1. When the grid type and frequency changed it will report F13; 2. When the battery mode was changed to "No battery" mode, it will report F13; 3. For some old FW version, it will report F13 when the system work mode changed; 4. Generally, it will disappear automatically when shows F13; 5. If still same, and turn off the DC switch and AC switch and wait for one minute and then turn on the DC/AC switch; 6. Seek help from us, if can not go back to normal state. |
| F18 | AC over current fault of hardware | <p>AC side over current fault</p> <ol style="list-style-type: none"> 1. Please check whether the backup load power and common load power are within the range; 2. Restart and check whether it is in normal; 3. Seek help from us, if can not go back to normal state. |
| F20 | DC over current fault of the hardware | <p>DC side over current fault</p> <ol style="list-style-type: none"> 1. Check PV module connect and battery connect; 2. When in the off-grid mode, the inverter startup with big power load, it may report F20. Please reduce the load power connected; 3. Turn off the DC switch and AC switch and then wait one minute, then turn on the DC/AC switch again; 4. Seek help from us, if can not go back to normal state. |
| F22 | Tz_EmergStop_Fault | Please contact your installer for help. |
| F23 | AC leakage current is transient over current | <p>Leakage current fault</p> <ol style="list-style-type: none"> 1. Check PV side cable ground connection. 2. Restart the system 2~3 times. 3. If the fault still exists, please contact us for help. |

| Error code | Description | Solutions |
|-------------------|---------------------------------|---|
| F24 | DC insulation impedance failure | PV isolation resistance is too low 1. Check the connection of PV panels and inverter is firmly and correctly; 2. Check whether the PE cable of inverter is connected to ground; 3. Seek help from us, if can not go back to normal state. |
| F26 | The DC busbar is unbalanced | 1. Please wait for a while and check whether it is normal; 2. When the hybrid in split phase mode, and the load of L1 and load of L2 is big different, it will report the F26. 3. Restart the system 2~3 times. 4. Seek help from us, if can not go back to normal state. |
| F29 | Parallel CANBus fault | 1. When in parallel mode, check the parallel communication cable connection and hybrid inverter communication address setting; 2. During the parallel system startup period, inverters will report F29. when all inverters are in ON status, it will disappear automatically; 3. If the fault still exists, please contact us for help. |
| F34 | AC Overcurrent fault | 1. Check the backup load connected, make sure it is in allowed power range; 2. If the fault still exists, please contact us for help. |
| F35 | No AC grid | No Utility 1. Please confirm grid is lost or not; 2. Check the grid connection is good or not; 3. Check the switch between inverter and grid is on or not; 4. Seek help from us, if can not go back to normal state. |
| F41 | Parallel system stop | 1. Check the hybrid inverter working status. If there's 1 pcs hybrid inverter is in OFF status, the other hybrid inverters may report F41 fault in parallel system. 2. If the fault still exists, please contact us for help. |
| F42 | AC line low voltage | Grid voltage fault 1. Check the AC voltage is in the range of standard voltage in specification; 2. Check whether grid AC cables are firmly and correctly connected; 3. Seek help from us, if can not go back to normal state. |
| F47 | AC over frequency | Grid frequency out of range 1. Check the frequency is in the range of specification or not; 2. Check whether AC cables are firmly and correctly connected; 3. Seek help from us, if can not go back to normal state. |
| F48 | AC lower frequency | Grid frequency out of range 1. Check the frequency is in the range of specification or not; 2. Check whether AC cables are firmly and correctly connected; 3. Seek help from us, if can not go back to normal state. |
| F56 | DC busbar voltage is too low | Battery voltage low 1. Check whether battery voltage is too low; 2. If the battery voltage is too low, using PV or grid to charge the battery; 3. Seek help from us, if can not go back to normal state. |

| Error code | Description | Solutions |
|-------------------|------------------------------------|--|
| F58 | BMS communication fault | <ol style="list-style-type: none"> 1. it tells the communication between hybrid inverter and battery BMS disconnected when "BMS_Err-Stop" is active; 2. if don't want to see this happen, you can disable "BMS_Err-Stop" item on the LCD; 3. If the fault still exists, please contact us for help. |
| F63 | ARC fault | <ol style="list-style-type: none"> 1. ARC fault detection is only for US market; 2. Check PV module cable connection and clear the fault; 3. Seek help from us, if can not go back to normal state. |
| F64 | Heat sink high temperature failure | Heat sink temperature is too high <ol style="list-style-type: none"> 1. Check whether the work environment temperature is too high; 2. Turn off the inverter for 10mins and restart; 3. Seek help from us, if can not go back to normal state. |

Chart 7-1 Fault information

Under the guidance of our company, customers return our products so that our company can provide service of maintenance or replacement of products of the same value. Customers need to pay the necessary freight and other related costs. Any replacement or repair of the product will cover the remaining warranty period of the product. If any part of the product or product is replaced by the company itself during the warranty period, all rights and interests of the replacement product or component belong to the company.

Factory warranty does not include damage due to the following reasons:

- Damage during transportation of equipment ;
- Damage caused by incorrect installation or commissioning ;
- Damage caused by failure to comply with operation instructions, installation instructions or maintenance instructions ;
- Damage caused by attempts to modify, alter or repair products ;
- Damage caused by incorrect use or operation ;
- Damage caused by insufficient ventilation of equipment ;
- Damage caused by failure to comply with applicable safety standards or regulations ;
- Damage caused by natural disasters or force majeure (e.g. floods, lightning, overvoltage, storms, fires, etc.)

In addition, normal wear or any other failure will not affect the basic operation of the product. Any external scratches, stains or natural mechanical wear does not represent a defect in the product.

8.Limitation of Liability

In addition to the product warranty described above, the state and local laws and regulations provide financial compensation for the product's power connection (including violation of implied terms and warranties). The company hereby declares that the terms and conditions of the product and the policy cannot and can only legally exclude all liability within a limited scope.

9. Datasheet

| Model | SUN-5K-SG02LP1-AU-AM2 | SUN-6K-SG02LP1-AU-AM2 | SUN-7.6K-SG02LP1-AU-AM2 | SUN-8K-SG02LP1-AU-AM2 | SUN-10K-SG02LP1-AU-AM3 | SUN-12K-SG02LP1-AU-AM3 |
|--|-----------------------------|-----------------------|-------------------------|-----------------------|------------------------|------------------------|
| Battery Input Data | | | | | | |
| Battery Type | Lead-acid or Lithium-ion | | | | | |
| Battery Voltage Range(V) | 40-60 | | | | | |
| Max. Charging Current(A) | 120 | 135 | 190 | 190 | 220 | 250 |
| Max. Discharging Current(A) | 120 | 135 | 190 | 190 | 220 | 250 |
| Charging Strategy for Li-Ion Battery | Self-adaption to BMS | | | | | |
| Number of Battery Input | 1 | | | | | |
| PV String Input Data | | | | | | |
| Max. PV access power(W) | 10000 | 12000 | 15200 | 16000 | 20000 | 24000 |
| Max. PV Input Power(W) | 7500 | 9000 | 11400 | 12000 | 15000 | 18000 |
| Max. PV Input Voltage(V) | 500 | | | | | |
| Start-up Voltage(V) | 125 | | | | | |
| PV Input Voltage Range(V) | 125-500 | | | | | |
| MPPT Voltage Range(V) | 150-425 | | | | | |
| Full Load MPPT Voltage Range(V) | 200-425 | | | | | |
| Rated PV Input Voltage(V) | 370 | | | | | |
| Max. Operating PV Input Current(A) | 20+20 | | 26+26 | | 26+26+26 | |
| Max. Input Short-Circuit Current(A) | 44+44 | | 44+44 | | 44+44+44 | |
| No. of MPP Trackers/No. of Strings MPP Tracker | 2/2+2 | | | | 3/2+2+2 | |
| Max. Inverter Backfeed Current to The Array | 0 | | | | | |
| AC Input/Output Data | | | | | | |
| Rated AC Input/Output Active Power(W) | 5000 | 6000 | 7600 | 8000 | 9999 | 12000 |
| Max. AC Input/Output Apparent Power(VA) | 5000 | 6000 | 7600 | 8000 | 9999 | 12000 |
| Peak Power (off-grid)(W) | 2 times of rated power, 10s | | | | | |
| Rated AC Input/Output Current(A) | 21.8 | 26.1 | 33.1 | 34.8 | 43.5 | 52.2 |
| Max. AC Input/Output Current(A) | 21.8 | 26.1 | 33.1 | 34.8 | 43.5 | 52.2 |
| Max. Continuous AC Passthrough (grid to load)(A) | 35 | 40 | 50 | 50 | 60 | 60 |
| Max. Output Fault Current(A) | 43.6 | 52.2 | 66.2 | 69.6 | 87 | 104.4 |
| Max. Output Overcurrent Protection(A) | 77 | | 145 | | 180 | |
| Rated Input/Output Voltage/Range(V) | 230V/240V 0.85Un-1.1Un | | | | | |
| Grid Connection Form | L+N+PE | | | | | |
| Rated Input/Output Grid Frequency/Range | 50Hz/45Hz-55Hz | | | | | |
| Power Factor Adjustment Range | 0.8 leading-0.8 lagging | | | | | |
| Total Current Harmonic Distortion THDi | <3% (of nominal power) | | | | | |
| DC Injection Current | <0.5%In | | | | | |
| Efficiency | | | | | | |
| Max. Efficiency | 97.60% | | | | | |
| Euro Efficiency | 96.50% | | | | | |
| MPPT Efficiency | >99% | | | | | |
| Equipment Protection | | | | | | |
| DC Polarity Reverse Connection Protection | Yes | | | | | |
| AC Output Overcurrent Protection | Yes | | | | | |
| AC Output Overvoltage Protection | Yes | | | | | |
| AC Output Short Circuit Protection | Yes | | | | | |
| Thermal Protection | Yes | | | | | |
| DC Terminal Insulation Impedance Monitoring | Yes | | | | | |

| | |
|--------------------------------------|--|
| DC Component Monitoring | Yes |
| Ground Fault Current Monitoring | Yes |
| Arc fault circuit interrupter (AFCI) | Optional |
| Power Network Monitoring | Yes |
| Island Protection Monitoring | Yes |
| Earth Fault Detection | Yes |
| DC Input Switch | Yes |
| Overvoltage Load Drop Protection | Yes |
| Residual Current (RCD) Detection | Yes |
| Anti-islanding Protection | Yes(Active Frequency Shift) |
| Surge Protection Level | TYPE II(DC), TYPE II(AC) |
| Interface | |
| Display | LCD+LED |
| Communication Interface | RS232, RS485, CAN |
| Monitor Mode | GPRS/WIFI/Bluetooth/4G/LAN(optional) |
| PV Connection | VP-D4 |
| General Data | |
| Operating Temperature Range | -40 to +60 C , >45 C Derating |
| Permissible Ambient Humidity | 0-100% |
| Permissible Altitude | 2000m |
| Noise | <45 dB |
| Ingress Protection(IP) Rating | IP 65 |
| Inverter Topology | Non-Isolated |
| Over Voltage Category | OVC II(DC), OVC III(AC) |
| Cabinet size(W*H*D) [mm] | 420W×670H×233D (Excluding connectors and brackets) |
| Weight(kg) | 35.6 |
| Warranty | 10 Years |
| Type of Cooling | Intelligent Air Cooling |
| Grid Regulation | AS/NZS 4777.2 |
| Safety EMC/Standard | IEC/EN 61000-6-1/2/3/4, IEC/EN 62109-1, IEC/EN 62109-2 |

10.Package and transport inverter

Usually placed inverter in the packing box with tape sealing, if the inverter cannot reoccupy, you can choose a cheap carton for packaging. Carton requirements must meet the size of the inverter and can support inverter machine overall weight.

Series frequency converter in the process of moving, please note: handle with care, do not touch the inverter, put as flat as possible.

11.Disposing of the inverter

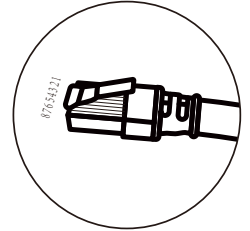
Do not dispose of inverter together with household waste. Please accordance with the disposal regulations for electronic waste which apply at the installation site at that time. Ensure that the old unit and, where applicable, any accessories are disposed of in a proper manner.

12. Appendix I

Definition of RJ45 Port Pin for BMS

| No. | BMS Pin |
|-----|---------|
| 1 | 485_B |
| 2 | 485_A |
| 3 | GND_485 |
| 4 | CAN-H |
| 5 | CAN-L |
| 6 | GND_485 |
| 7 | 485_A |
| 8 | 485_B |

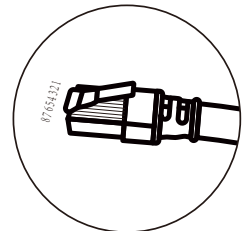
BMS Port



Definition of RJ45 Port Pin for RS485

| No. | RS485 Pin |
|-----|--------------|
| 1 | sunspe-485_B |
| 2 | sunspe-485_A |
| 3 | -- |
| 4 | -- |
| 5 | -- |
| 6 | -- |
| 7 | sunspe-485_A |
| 8 | sunspe-485_B |

RS485 Port

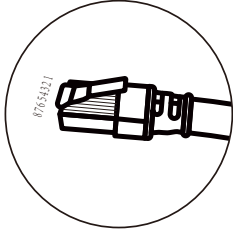


This port is used to connect the energy meter.

Note: some hardware versions hybrid inverter don't support connecting the energy meter

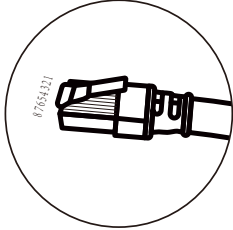
| No. | Meter Pin |
|-----|-----------|
| 1 | METERB |
| 2 | METERA |
| 3 | 5V |
| 4 | METERB |
| 5 | METERA |
| 6 | GND |
| 7 | METERA |
| 8 | METERB |

Meter Port



| No. | DRMs Pin |
|-----|-----------|
| 1 | DRM1/5 |
| 2 | DRM2/6 |
| 3 | DRM3/7 |
| 4 | DRM4/8 |
| 5 | REF-GEN/0 |
| 6 | D-GND |
| 7 | NetJ4_7 |
| 8 | NetJ4_7 |

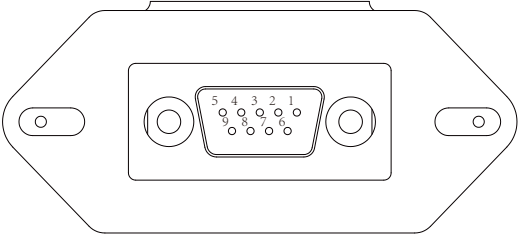
DRMs Port



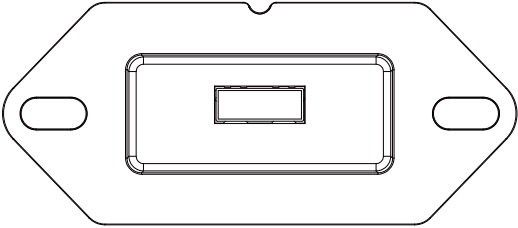
This model of inverter has two types of logger interfaces, DB9 and USB. Please refer to the actual inverter received for the actual interface type.

RS232

| No. | RS232 |
|-----|-------|
| 1 | |
| 2 | TX |
| 3 | RX |
| 4 | |
| 5 | D-GND |
| 6 | |
| 7 | |
| 8 | |
| 9 | 12Vdc |



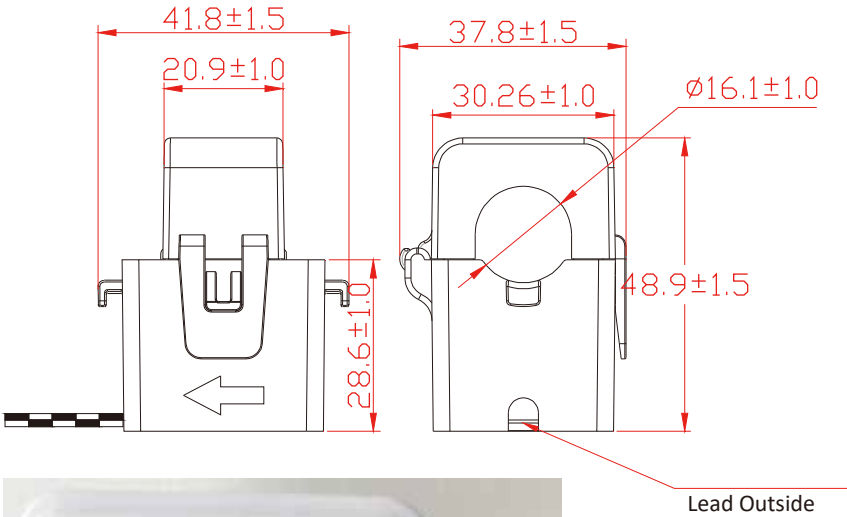
DB9 (RS232)



USB

13. Appendix II

- 1. Split Core Current Transformer (CT) dimension: (mm)
- 2. Secondary output cable length is 4m.



NINGBO DEYE INVERTER TECHNOLOGY CO., LTD.

Add.: No.26 South Yongjiang Road, Daqi, Beilun, NingBo, China.

Tel.: +86 (0) 574 8622 8957

Fax.: +86 (0) 574 8622 8852

E-mail: service@deye.com.cn

Web.: www.deyeinverter.com



30240301004449